

# STR-D1011

## SERVICE MANUAL

US Model  
Canadian Model



### SPECIFICATIONS

#### Audio Power Specifications

#### POWER OUTPUT AND TOTAL HARMONIC DISTORTION

With 8-ohm load, both channels driven, from 20 - 20,000 Hz, rated 120 watts per channel minimum RMS power, with no more than 0.04 % total harmonic distortion from 250 milliwatts to rated output.

	Surround mode (8 ohms)
FRONT (at 1 kHz)	80 W/ch
CENTER* (at 1 kHz)	80 W
REAR (at 1 kHz)	30 W/ch

\* (only in the DOLBY SUR, THEATER and LIVE modes)

#### Other Specifications

##### Amplifier section (Front)

Continuous RMS power output (8 ohms, at 20 Hz-20 kHz)  
130 W + 130 W

Dynamic power output (in the stereo mode)	8 ohms, at 1 kHz IHF	185 W + 185 W
	4 ohms, at 1 kHz IHF	235 W + 235 W

Frequency response	PHONO	RIAA equalization curve $\pm 0.5$ dB
	CD, DAT, TAPE 1,2 VIDEO 1,2,3	10 Hz - 20 kHz $_{-1}^{+0}$ dB
Damping factor (8 ohms, at 1kHz)		50
Input sensitivity/impedance	PHONO MM	2.5 mV, 50 kilohms
	CD, DAT, TAPE 1,2 VIDEO 1,2,3	250 mV 50 kilohms
S/N	PHONO MM	87 dB 79 dB** (A, 2.5mV)
	CD, DAT TAPE 1,2 VIDEO 1,2,3	105 dB 85 dB** (A, 150mV)
Output sensitivity/impedance	DAT OUT, TAPE OUT 1,2 VIDEO 1	250 mV 10 kilohms
	HEADPHONES	Accepts headphones of high and low impedance
MUTING		-20dB
DBFB		+10 dB at 70Hz

\*\* '78IHF

FM STEREO/FM-AM RECEIVER  
**SONY**®



### Digital signal processor section

Modulation (A/D conversion)		High Density Linear Converter
Demonstration (D/A conversion)		High Density Linear Converter (Pulse D/A Converter)
Sampling frequency		48 kHz
Equalizer	Band	3-band, Bass/Treble/Mid
	Turnover frequency	Bass: 125 Hz - 1 kHz Treble: 1 kHz - 8 kHz
	Center frequency	Mid: 54 Hz - 8 kHz
	Level	±10 dB, 1 dB step
	Slope (Q)	3-step selectable, Wide, Mid, Narrow
Surround	ROOM SIZE	16-step adjustable
	WALL	16-step adjustable
	SEAT POSITION F/R	16-step adjustable
	SEAT POSITION L/R	16-step adjustable
	EFFECT LEVEL	20-step adjustable
	REVERB TIME	16-step adjustable
	DELAY TIME**	15.0 ms-30.0 ms, 0.1 ms step
	REAR LEVEL	+10 — -50 dB, 1 dB step
	CENTER LEVEL***	+10 — -50 dB, 1 dB step
	INPUT BALANCE	Automatic

\*\* (only in the DOLBY SUR mode)

\*\*\* (only in the DOLBY SUR, THEATER and LIVE modes)

### FM tuner section

Frequency range		87.5 - 108.0 MHz
Antenna terminals		75 ohms, unbalanced
Sensitivity at 50 dB		18.3 dBf, 4.5 μV (mono) 38.3 dBf, 45 μV (stereo)
Usable sensitivity		11.2 dBf, 2 μV (IHF)
S/N	Mono	80 dB
	Stereo	74 dB
Harmonic distortion at 1 kHz	Mono	0.3 %
	Stereo	0.5 %
IM distortion	Mono	0.3 %
	Stereo	0.5 %
Separation		45 dB at 1 kHz
Frequency response		30 Hz - 15 kHz $^{+0}_{-2}$ dB
Selectivity		60 dB at 400 kHz
Capture ratio		1.2 dB
AM suppression ratio		54 dB

Image response ratio		70 dB
IF response ratio		70 dB
Spurious response ratio		80 dB
RF intermodulation at 800 kHz		60 dB
Auto tuning threshold	Low	30 dBf
	High	50 dBf

### AM tuner section

Frequency range		530 - 1,710 kHz (with 10 kHz interval) 531 - 1,710 kHz (with 9 kHz interval)
Antenna		Loop antenna
Usable sensitivity		50 dB/m (at 1,000 kHz or 999 kHz)
S/N		54 dB (at 50 mV/m)
Harmonic distortion		0.5% (50 mV/m, 400 Hz)
Selectivity		35 dB (9 kHz), 40 dB (10 kHz)
Auto tuning threshold		55 dB/m

### Video section

Inputs	VIDEO 1,2,3: 1 Vp-p 75 ohms
Outputs	VIDEO 1, MONITOR: 1 Vp-p 75 ohms

### General

System	Tuner section	PLL quartz-locked digital synthesizer system
	Preamplifier section	Low-noise NF type equalizer
	Power amplifier section	Pure-complimentary SEPP
Power requirements		120 V AC, 60 Hz
Power consumption		USA model: 260 W Canada model: 320 VA
AC outlets		Two switched, total 120 W/1 A max.
Dimensions (including projecting parts and controls)		Approx. 430 x 148 x 385 mm (w/h/d) (17 x 5 <sup>13</sup> / <sub>16</sub> x 15 <sup>3</sup> / <sub>16</sub> inches)
Mass		Approx. 13.2 kg (29 lb 2 oz)

Supplied accessories FM wire antenna (1)  
AM loop antenna (1)  
Remote commander (1)  
Sony Batteries SUM-3(NS) (2)

Design and specifications are subject to change without notice.

## SAFETY CHECK-OUT

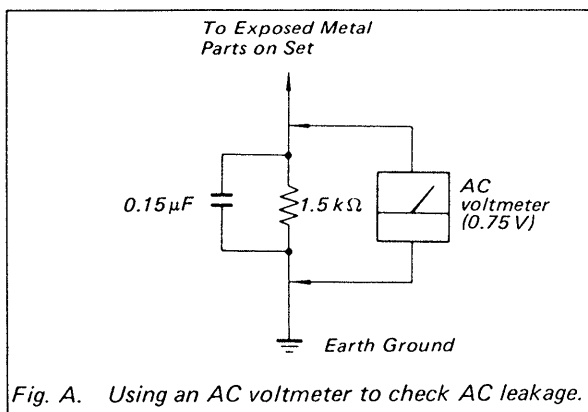
After correcting the original service problem, perform the following safety check before releasing the set to the customer:

Check the antenna terminals, metal trim, "metallized" knobs, screws, and all other exposed metal parts for AC leakage. Check leakage as described below.

### LEAKAGE TEST

The AC leakage from any exposed metal part to earth ground and from all exposed metal parts to any exposed metal part having a return to chassis, must not exceed 0.5 mA (500 microampers). Leakage current can be measured by any one of three methods.

1. A commercial leakage tester, such as the Simpson 229 or RCA WT-540A. Follow the manufacturers' instructions to use these instruments.
2. A battery-operated AC milliammeter. The Data Precision 245 digital multimeter is suitable for this job.
3. Measuring the voltage drop across a resistor by means of a VOM or battery-operated AC voltmeter. The "limit" indication is 0.75 V, so analog meters must have an accurate low-voltage scale. The Simpson 250 and Sanwa SH-63Trd are examples of a passive VOM that is suitable. Nearly all battery operated digital multimeters that have a 2V AC range are suitable. (See Fig. A)

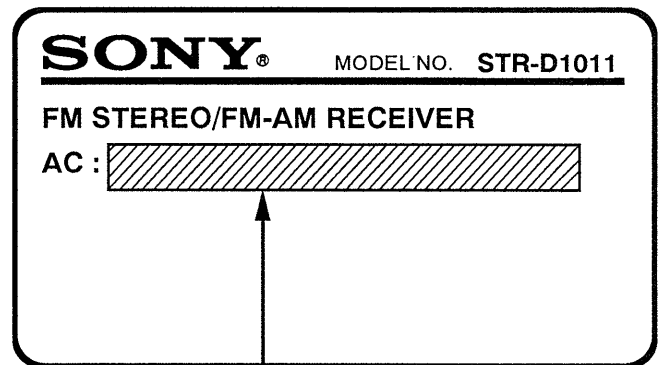


**SAFETY-RELATED COMPONENT WARNING!!**  
COMPONENTS IDENTIFIED BY MARK OR DOTTED LINE WITH MARK ON THE SCHEMATIC DIAGRAMS AND IN THE PARTS LIST ARE CRITICAL TO SAFE OPERATION. REPLACE THESE COMPONENTS WITH SONY PARTS WHOSE PART NUMBERS APPEAR AS SHOWN IN THIS MANUAL OR IN SUPPLEMENTS PUBLISHED BY SONY.

## TABLE OF CONTENTS

<u>Section</u>	<u>Title</u>	<u>Page</u>
Specification		1
<b>1. GENERAL</b>		<b>4</b>
<b>2. DISASSEMBLY</b>		<b>8</b>
<b>3. ELECTRICAL ADJUSTMENT</b>		<b>9</b>
<b>4. DIAGRAMS</b>		
4-1.	Circuit Boards Location	11
4-2.	Semiconductor Lead Layouts	12
4-3.	Printed Wiring Boards – TUNER Section –	12
4-4.	Schematic Diagrams – TUNER Section –	15
4-5.	Schematic Diagrams – MAIN Section –	19
4-6.	Printed Wiring Boards – MAIN Section –	23
4-7.	Schematic Diagrams – DIGITAL Section –	28
4-8.	Printed Wiring Boards – DIGITAL Section –	33
4-9.	Printed Wiring Boards – DISPLAY Section –	36
4-10.	Schematic Diagrams – DISPLAY Section –	39
<b>5. EXPLODED VIEWS</b>		
5-1.	Front Panel Section	42
5-2.	Chassis Section	43
5-3.	Main Board Section	44
<b>6. ELECTRICAL PARTS LIST</b>		<b>45</b>

### MODEL IDENTIFICATION (Specification Label)



US model : 120V~60Hz 260W  
Canadian model : 120V~60Hz 320VA

**ATTENTION AU COMPOSANT AYANT RAPPORT  
À LA SÉCURITÉ!**

LES COMPOSANTS IDENTIFIÉS PAR UNE MARQUE SUR LES DIAGRAMMES SCHÉMATIQUES ET LA LISTE DES PIÈCES SONT CRITIQUES POUR LA SÉCURITÉ DE FONCTIONNEMENT. NE REMPLACER CES COMPOSANTS QUE PAR DES PIÈCES SONY DONT LES NUMÉROS SONT DONNÉS DANS CE MANUEL OU DANS LES SUPPLÉMENTS PUBLIÉS PAR SONY.

## Introduction Overview

The STR-D1011 is an FM Stereo/FM-AM receiver and audio/video control center. You can enjoy various audio/video program sources with this unit.

### TV/video programs

- You can enjoy TV or CATV programs with FM simulcast.
- Sounds from various audio program sources can be added on video tapes during editing.

### Tuner

- Precise tuning is ensured by a quartz locked digital synthesizer.
- Station index system allows you to tune into a station quickly.

### Digital surround processor

- The STR-D1011 electronically reproduces the reflected sound (early reflection) and reverbation sound (reverbation) by using its digital signal processor, and allows you to obtain the acoustics of various situations.
- DOLBY® PRO LOGIC:** The STR-D1011 incorporates the Dolby Pro Logic Surround Decoder which has the same functions for playback as movie theaters and gives a theater-like experience in your listening room, naturally reproducing the audio sound field.

- Manufactured under license from Dolby Laboratories Licensing Corporation. Additionally licensed under one or more of the following patents: U.S. number 3,959,650; Canadian numbers 1,004,603 and 1,037,877; "DOLBY", "Pro Logic", and the double-D symbol are trademarks of Dolby Laboratories Licensing Corporation.

### Digital parametric equalizer

You can enjoy audio program sources with appropriate equalization curve by controlling the level of the desired 3 frequency bands.

### Sound field

- 10 recommended sound field programs (combination of surround and parametric equalizer settings) are preset in the factory for easy use. You can also store up to 10 settings you created in the memory.
- Combined use of the sound field programs and the preset stations allow you to enjoy broadcast listening immediately with the memorized sound field settings.

### The FUNCTION/SOUND FIELD/PRESET TUNING buttons

There are two kinds of modes for the FUNCTION/SOUND FIELD/PRESET TUNING buttons. One is the "Auto mode" and the other is the "Manual mode". With these modes, you can conveniently operate this receiver. This manual describes the operations in the auto mode.

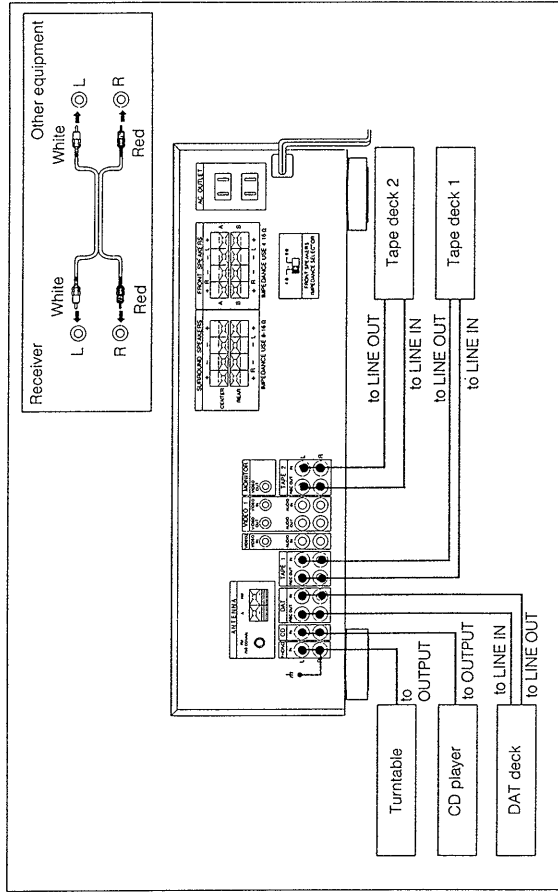
### Remote commander supplied

This unit is supplied with the remote commander. For the instruction of the remote commander for Canada model, see the operating instructions of the separate volume.

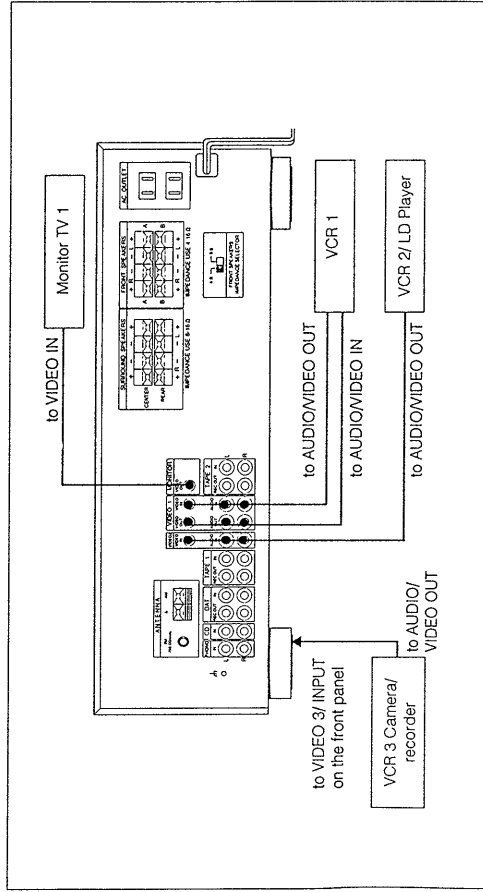
## SECTION 1 GENERAL

This section is extracted from instruction manual.

### Connecting Audio Equipment



### Connecting Video Equipment

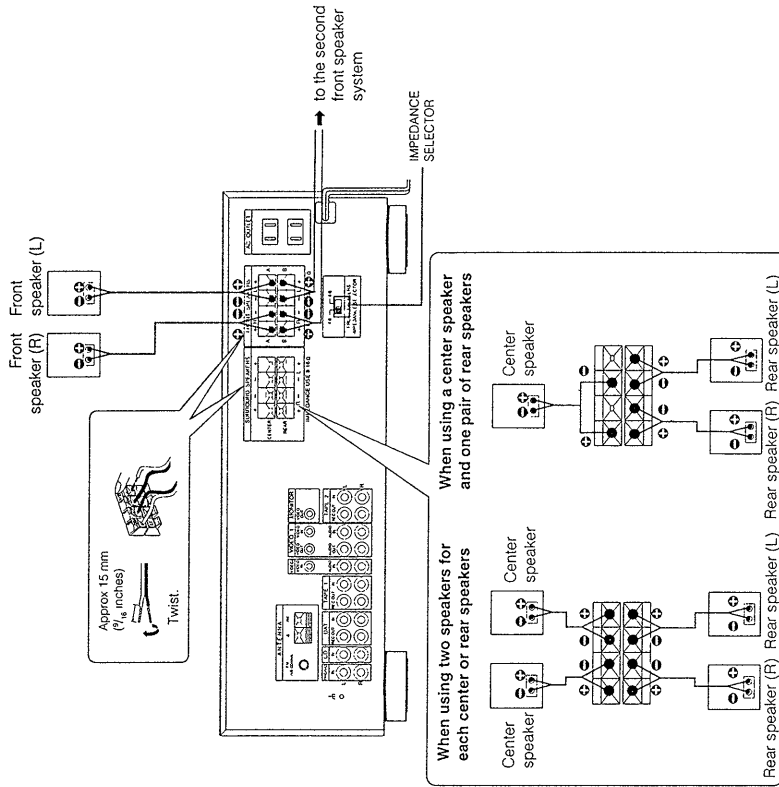




# Hooking Up the System

## Connecting Speaker Systems

Front, center and rear speakers can be connected to this unit.



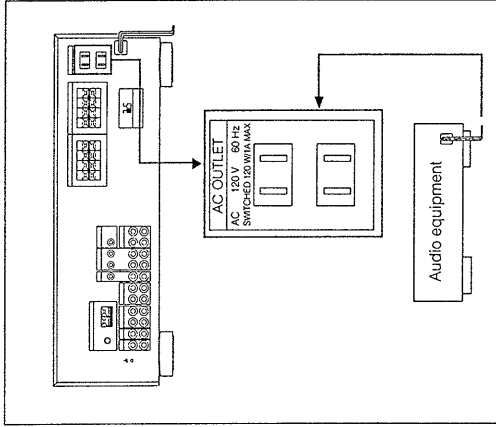
**On the IMPEDANCE SELECTOR**  
The STR-D1011 has the IMPEDANCE SELECTOR for front speakers.  
When using the front speakers having nominal impedance from 4 ohms or higher, set to the 4  $\Omega$  position.  
When using the front speakers having nominal impedance from 8 ohms or higher, set to the 8  $\Omega$  position.

**Note**  
Use the front speakers having nominal impedance of more than 8 ohms in the SURROUND mode.

**Note**  
When connecting the speaker cord to the speaker terminal, make sure that the polarity (+ and -) of the speaker cord is correct. If the polarity is reversed at either speaker, the sound will be distorted and will lack bass.

## Connecting to the Power Outlet

By connecting the power cord of the other audio equipment to SWITCHED AC OUTLET, this unit can supply the power source to the other audio equipment.



**Caution**  
Be careful that the total power consumption of each equipment connected to the outlets on the receiver does not exceed 120 watts.  
Do not connect electrical home appliances such as an electric iron, fan, TV, or other high-wattage equipment to these outlets.

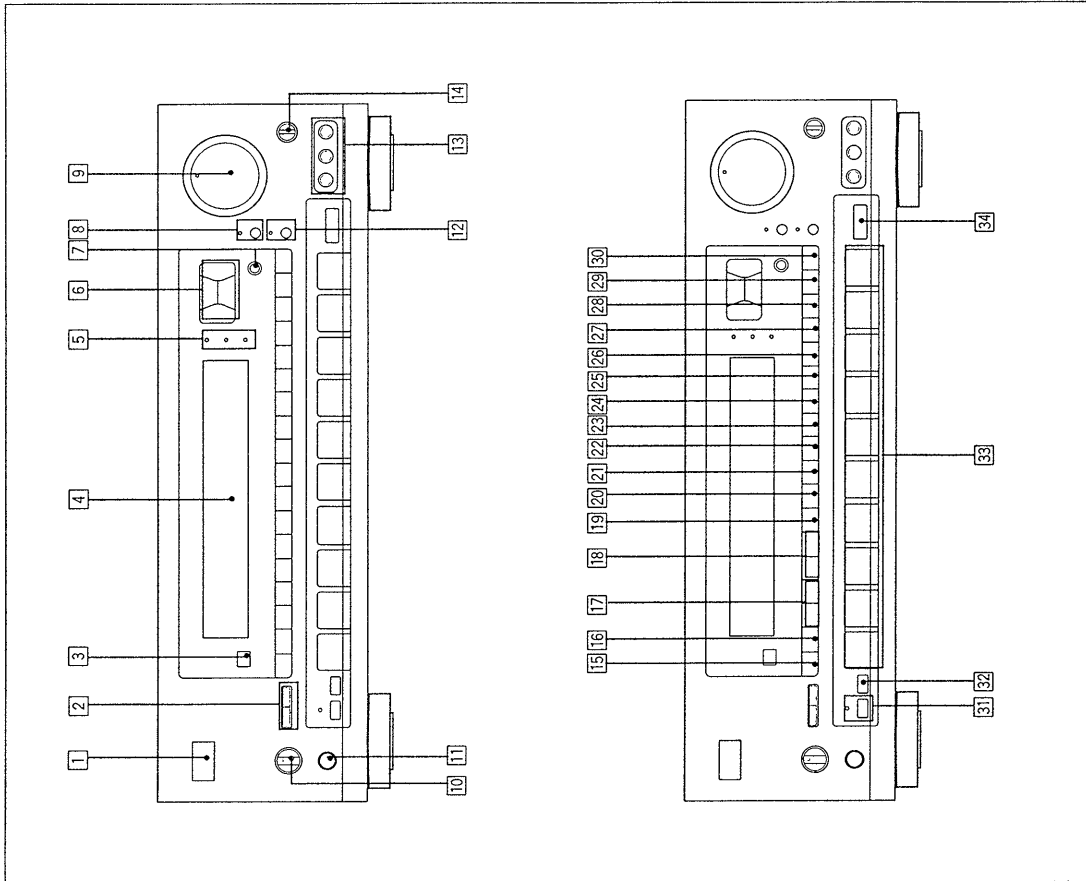
## Selecting the Mode of the FUNCTION/SOUND FIELD/PRESET TUNING Buttons

There are two kinds of modes for the FUNCTION/SOUND FIELD/PRESET TUNING buttons. One is the 'Auto mode' and the other is the 'Manual mode'.

- Auto mode**  
 The FUNCTION/SOUND FIELD/PRESET TUNING buttons are factory preset to the auto mode:  
 After one of the FUNCTION buttons, SOUND FIELD LINK, SOUND FIELD ON/OFF or SOUND FIELD USER/PRESET is pressed, the FUNCTION/SOUND FIELD/PRESET TUNING buttons change to the SOUND FIELD mode automatically. When TUNER is pressed, these buttons function as numeric buttons.
- Manual mode**  
 When you press the POWER switch while pressing MODE SELECT, the FUNCTION/SOUND FIELD/PRESET TUNING buttons are set to the manual mode.  
 With MODE SELECT, you can select the desired mode. To return to the auto mode, perform the same procedure again.

# Identifying the Parts and Controls

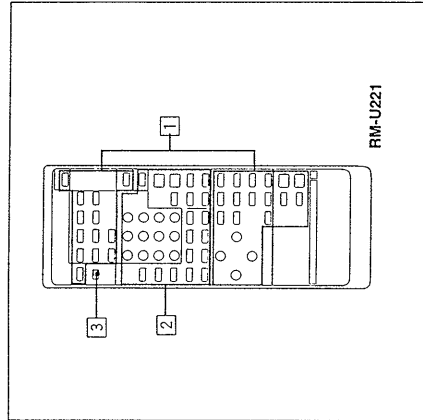
Front Panel



- 1 POWER switch
- 2 EDIT VIDEO/AUDIO buttons (See pages 25, 26.)
- 3 Remote sensor
- 4 Display
- 5 CURSOR MODE indicators (See pages 16, 21, 30, 31, 33, 36.)
- 6 Cursor mode operation buttons (See pages 16, 21, 30, 31, 33, 36.)
- 7 CURSOR MODE button (See pages 16, 21, 30, 31, 33, 36.)
- 8 DBFB button and indicator (See page 14.)
- 9 MASTER VOLUME control (See page 14.)
- 10 SPEAKERS selector (See page 14.)
- 11 HEADPHONES jack
- 12 MUTING button and indicator (See page 14.)
- 13 VIDEO 3/INPUT jacks
- 14 BALANCE control (See page 14.)
- 15 DISPLAY GRAPHIC button (See page 36.)
- 16 DISPLAY INDEX button (See pages 18, 22.)
- 17 INDEX SELECT/TUNING  $\rightarrow$ / $\leftarrow$  buttons (See pages 18, 22.)
- 18 PRESET TUNING  $\rightarrow$ / $\leftarrow$  buttons (See page 22.)
- 19 TUNING LEVEL button (See page 18.)
- 20 MEMORY button (See pages 16, 19, 21.)
- 21 DIRECT TUNING button (See page 17.)
- 22 FM MODE button (See page 17.)
- 23 FM/AM button (See pages 17, 18.)
- 24 SOUND FIELD LINK button (See page 37.)
- 25 SOUND FIELD ON/OFF button (See pages 30, 31.)
- 26 SOUND FIELD USER/PRESET button (See pages 33, 36, 37.)
- 27 DOLBY PRO LOGIC MODE button (See pages 29, 30.)
- 28 EQUALIZER FLAT button (See page 36.)
- 29 EQUALIZER SLOPE button (See page 36.)
- 30 EQUALIZER BAND button (See page 36.)
- 31 TAPE 2 MONITOR button and indicator (See page 24.)
- 32 SHIFT button (See pages 19, 20, 21.)
- 33 FUNCTION/SOUND FIELD/PRESET TUNING buttons (See page 9.)
- 34 MODE SELECT button (See page 9.)

## Identifying the Parts and Controls

### Remote Commander (U.S.A. model only)



### 1 Receiver control section

**FUNCTION:**  
 DAT, CD, TUNER, PHONO, VIDEO 1, VIDEO 2, VIDEO  
 3, TAPE, DIGITAL 1, 2: The each function is selected and the each unit enters its operating mode automatically. (DIGITAL 1 and 2 do not function.)  
**SYSTEM OFF:** Turns off the power of the whole system.  
**POWER:** Turns on the power of the receiver.  
**SOUND FIELD buttons**  
 U/P (user/preset): Selects the USER or PRESET mode.  
 MODE: Selects the sound field mode.  
 ON/OFF: Turns on/off the sound field system.  
 BAND: Selects the frequency band of the equalizer.  
 EQ: Turns on/off the setting of TONE controls.  
 T. (test) TONE: Generates a pink noise signal that is sent in succession to each speaker.  
**CURSOR MODE:** Select CURSOR MODE.  
**CURSOR operating buttons**  
 REAR LEVEL +/- buttons: Control the volume of rear speakers (surround level).  
 CENTER LEVEL +/- buttons: Control the volume of center speaker (surround level).  
 DBFB button: Turns on/off the DBFB (Dynamic Bass Feedback).  
**MUTING button:** Mutes the sound.  
**MASTER VOL +/- buttons:** Control the receiver volume.  
**SLEEP:** Set to the SLEEP timer mode. In this mode, the unit is automatically turned off after the designated time.

### 2 Other equipment control section

Numeric buttons (1 to 0): Designate the number.  
 ENTER: Press after designating the TV/VCR channel.  
 SHIFT: Select the memory page (A, B or C).  
 TV/VIDEO selector: Selects the program to see: TV or VIDEO.  
 ANT TV/VTR button: Selects the output signal from the antenna terminal on the VCR, either a TV signal or VCR programs.  
 CH/PRESET +/- buttons: Select a preset channel.  
 INDEX: Set to the index tuning mode.  
 << >>: Fast winding/manual search  
 ●: Recording  
 ▶: Play  
 ■: Stop  
 II: Pause  
 <->: Locates a desired selection.  
 REV/FWD: Press ● and REV or FWD at the same time.  
 D (disc) SKIP: Disc skip (for a CD player equipped with a multi-disc changer)  
 SELECT: Changes the settings of the FUNCTION buttons.

### Note

The button which has no name does not function.

### 3 SYSTEM/TV mode switch

In TV mode (When setting the SYSTEM/TV selector to TV)

Only MUTING, MASTER VOL +/- and the operative buttons in TV section on the list described on the next page can be used.

## Precautions

### On safety

- Operate the unit only on 120 V AC, 60 Hz.
- Should any solid object or liquid fall into the cabinet, unplug the unit and have it checked by qualified personnel before operating it any further.
- Unplug the unit from the wall outlet if it is not to be used for an extended period of time. To disconnect the cord, pull it out by grasping the plug. Never pull the cord itself.
- One blade of the plug is wider than the other for the purpose of safety and will fit into the power outlet only one way. If you are unable to insert the plug fully into the outlet, contact your dealer.

### To prevent internal heat buildup in the unit,

place the unit in a location with adequate air circulation.

### Do not install the unit:

- near heat sources such as radiators or air ducts.
- in a place subject to direct sunlight, excessive dust, mechanical vibration or shock.

### Do not place anything on top of the cabinet.

The top ventilation holes must be unobstructed for the proper operation of the unit and to prolong the life of its components.

### Do not throw away the carton and packing material!

It will be an ideal container when transporting the system for repair work, etc.

### On operation

Before making program source connections, be sure to turn the power switch off and unplug the unit.

### On cleaning the cabinet

Clean the cabinet, panel and controls with a soft cloth lightly moistened with mild detergent solution. Do not use any type of abrasive pad, scouring powder, or solvent such as alcohol or benzine.

### For the customers in the U.S.A.

For detailed safety precautions, see the "IMPORTANT SAFEGUARDS" leaflet.

If you have any question or problem concerning your unit, please consult your nearest Sony dealer.

## Chapter 1 Getting Started

## Unpacking

### Checking the Supplied Accessories

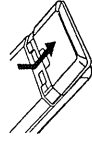
After unpacking, check that the following accessories are present.

- FM wire antenna ..... (1)
- AM loop antenna ..... (1)
- Remote commander ..... (1)
- Sony batteries SUM-3 (NS) ..... (2)

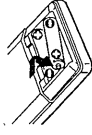
### Inserting the Batteries into the Remote Commander

Before operating remote commander, install the batteries as shown.

#### 1 Open the cover.



#### 2 Two size AA (R6) batteries with correct polarity.



### To avoid damage caused by battery leakage and corrosion

When the commander will not be used for a long time, remove the batteries.

### Battery life

Normal operation can be expected about a half year using Sony SUM-3 (NS), and a year using Sony AM-3 (NW) alkaline batteries.

When the batteries are run down, the remote commander will not operate the unit. In this case, replace batteries with new ones.

### Selecting the AM Tuning Interval

The AM tuning interval is preset to 10 kHz. To use the receiver where the frequency allocation system is based on a 9 kHz interval, make the following adjustments.

- Turn on the power and tune in any AM station.
  - Turn off the power.
  - Press the POWER button while pressing the INDEX SELECT/TUNING + button.
- To reset the AM tuning interval, repeat the above steps.

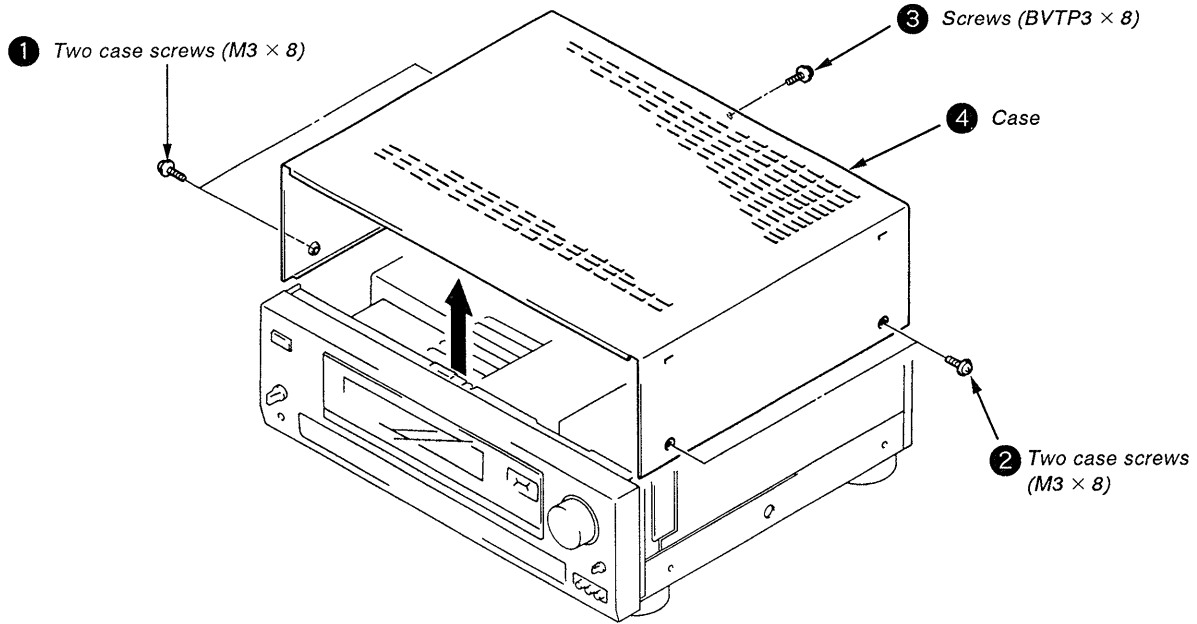
### Caution

When the interval is changed, all preset stations which you have memorized will be erased. After changing the interval, be sure to preset the stations again.

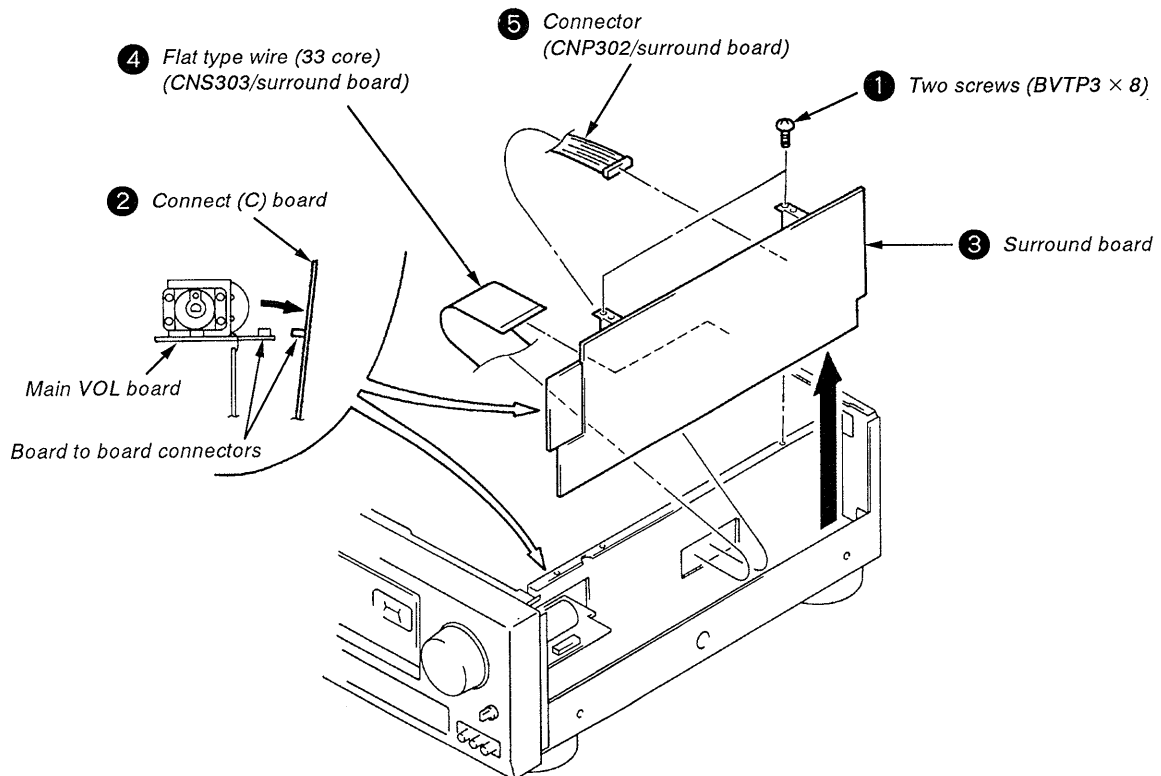
## SECTION 2 DISASSEMBLY

**Note :** Follow the disassembly procedure in the numerical order given.

### 2-1. CASE REMOVAL



### 2-2. SURROUND BOARD REMOVAL

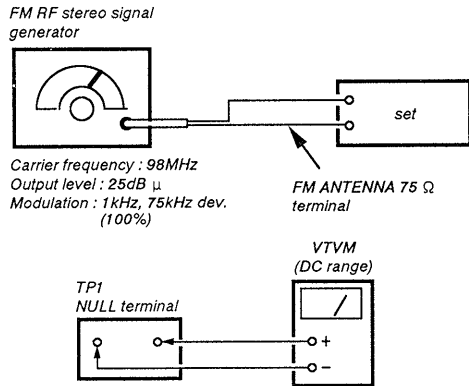


## SECTION 3 ELECTRICAL ADJUSTMENTS

### FM SECTION

#### ● FM Discriminator (NULL) Adjustment

Setting :



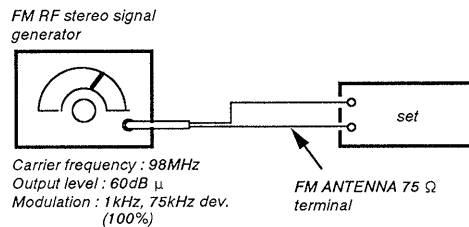
Procedure :

1. Tune the set to 98MHz.
2. Adjust T21 for 0V reading on the VOM.

**Note :** FM Tuning level adjustment should be made after FM discriminator adjustment.

#### ● FM Tuning Level Adjustment

Setting :

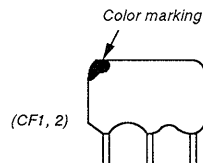


Procedure :

1. Tune the set to 98MHz.
2. Adjust RV24 so that the Voltage of IC10 ② Pin is set to low.

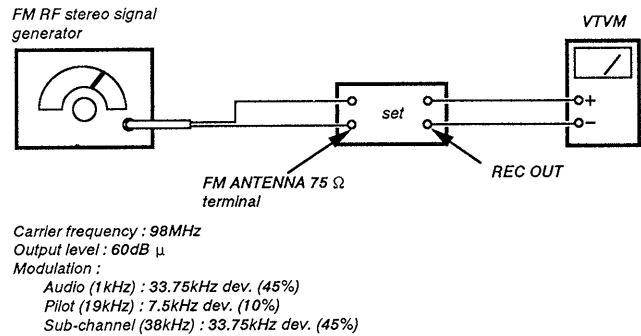
#### Note on Ceramic Filter (CF1, 2) Replacement. (DISPLAY BOARD)

This set employs two ceramic filters (CF1, 2) which should have the same color marking to identify their center frequency. Therefore FM IF offset adjustment by (\* A, \* B) connection is necessary to match the center frequency of the ceramic filters used with FM intermediate frequency.



#### ● FM Stereo Separation Adjustment

Setting :



Procedure :

Tune the set to 98MHz

FM stereo signal generator output channel	VTVM connection	VTVM reading (dB)
L-CH	L-CH	Ⓐ
R-CH	L-CH	Ⓑ Adjust RV21 for minimum reading
R-CH	R-CH	Ⓒ
L-CH	R-CH	Ⓓ Adjust RV21 for minimum reading

L-CH Stereo separation : Ⓐ - Ⓑ  
R-CH Stereo separation : Ⓒ - Ⓓ > 40dB

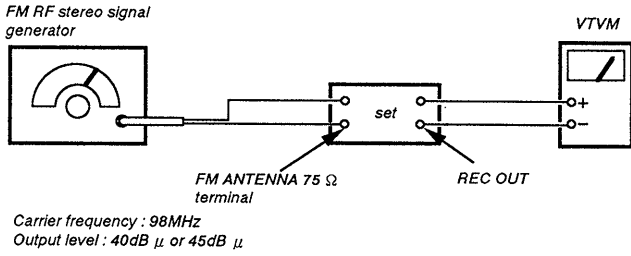
The separations of both channels should be equal

○ : shout  
× : open

Ceramic filter		Mount		FM intermediate frequency (MHz)
Color mark	Center frequency (MHz)	* A (D217)	* B (D218)	
White	10.750	×	○	10.750
Red	10.700	×	×	10.700
Black	10.650	○	×	10.650

● Auto Stop Level Adjustment

Setting :



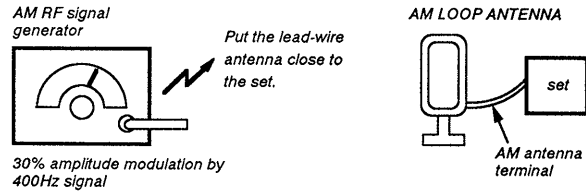
Procedure :

1. Push the TUNING LEVEL switch to High.
2. Adjust RV25 so that the voltage of IC10 ② pin set to low.

**AM SECTION**

● AM Tuning Level

Setting :

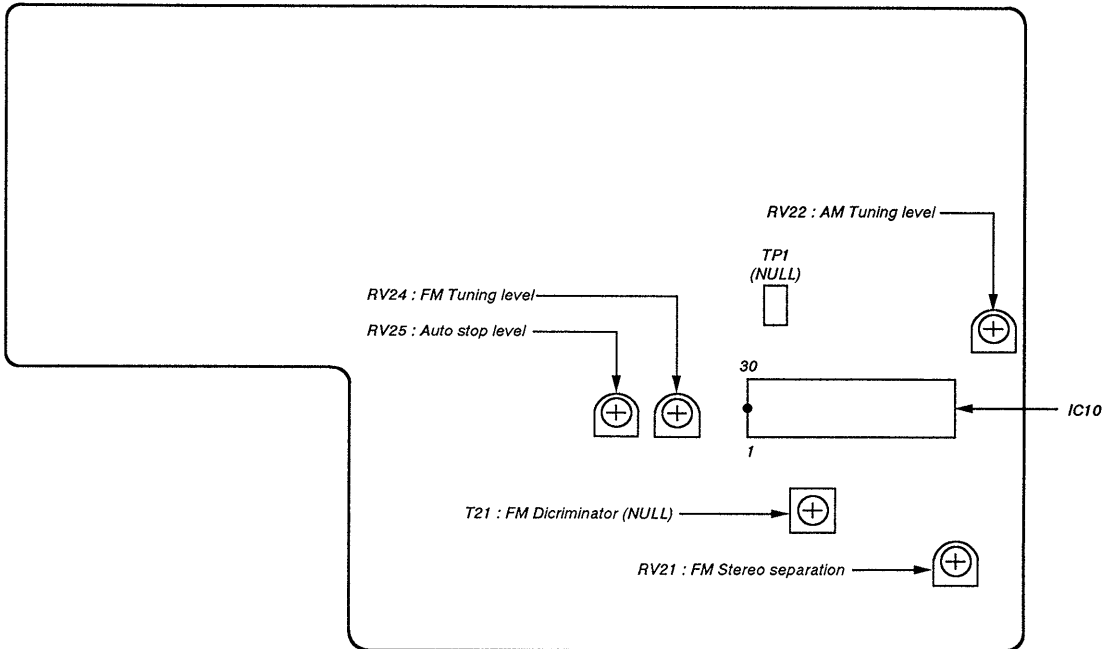


Procedure :

1. Tune the set to 1,050kHz.
2. Adjust RV22 so that the voltage of IC10 ② pin set to low.

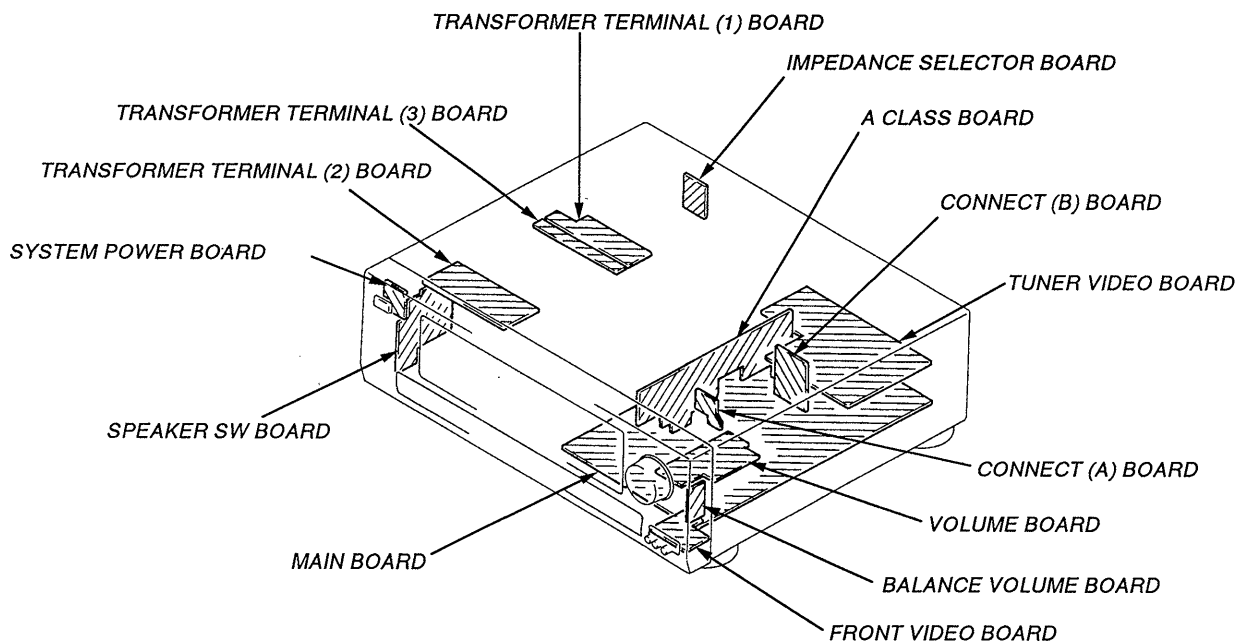
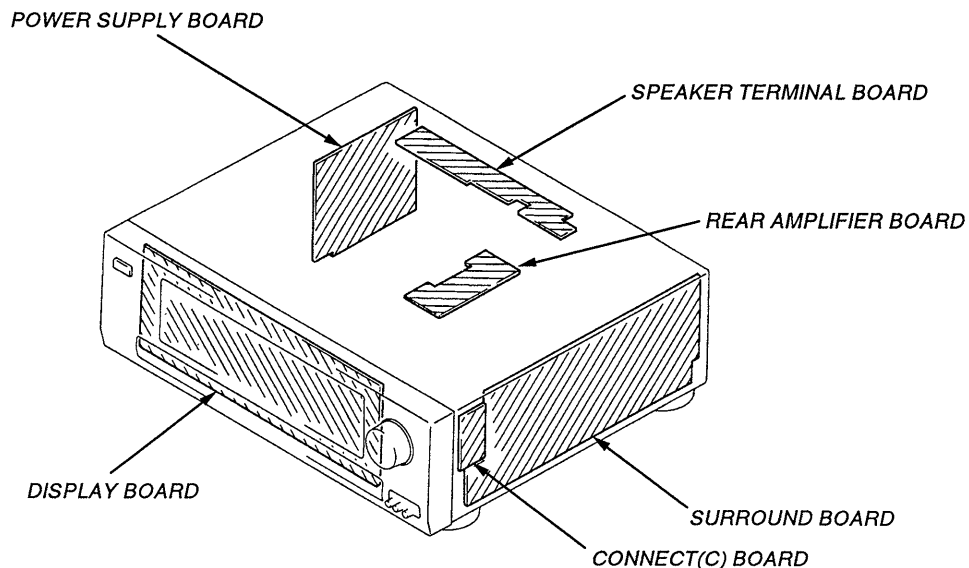
Adjustment Location :

[TUNER VIDEO BOARD] – Component side –

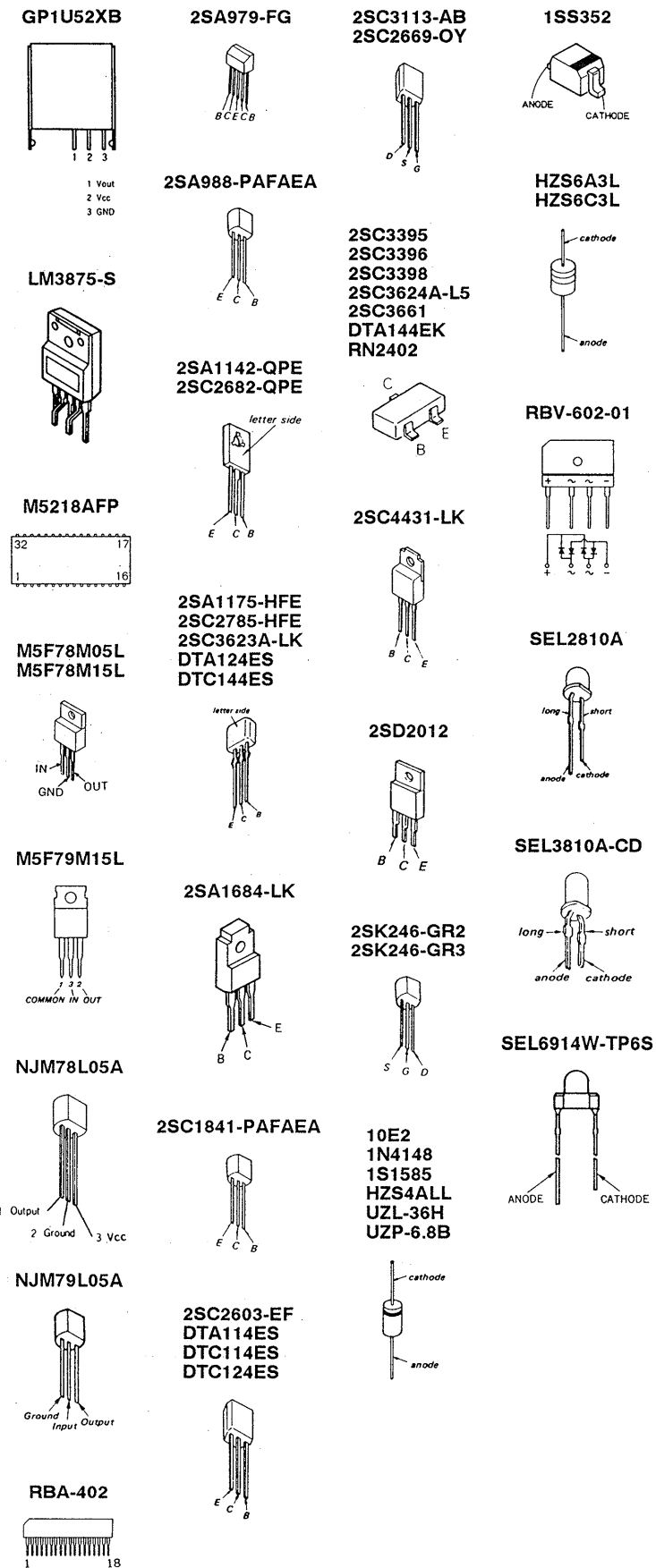


### SECTION 4 DIAGRAMS

#### 4-1. CIRCUIT BOARDS LOCATION



4-2. SEMICONDUCTOR LEAD LAYOUTS



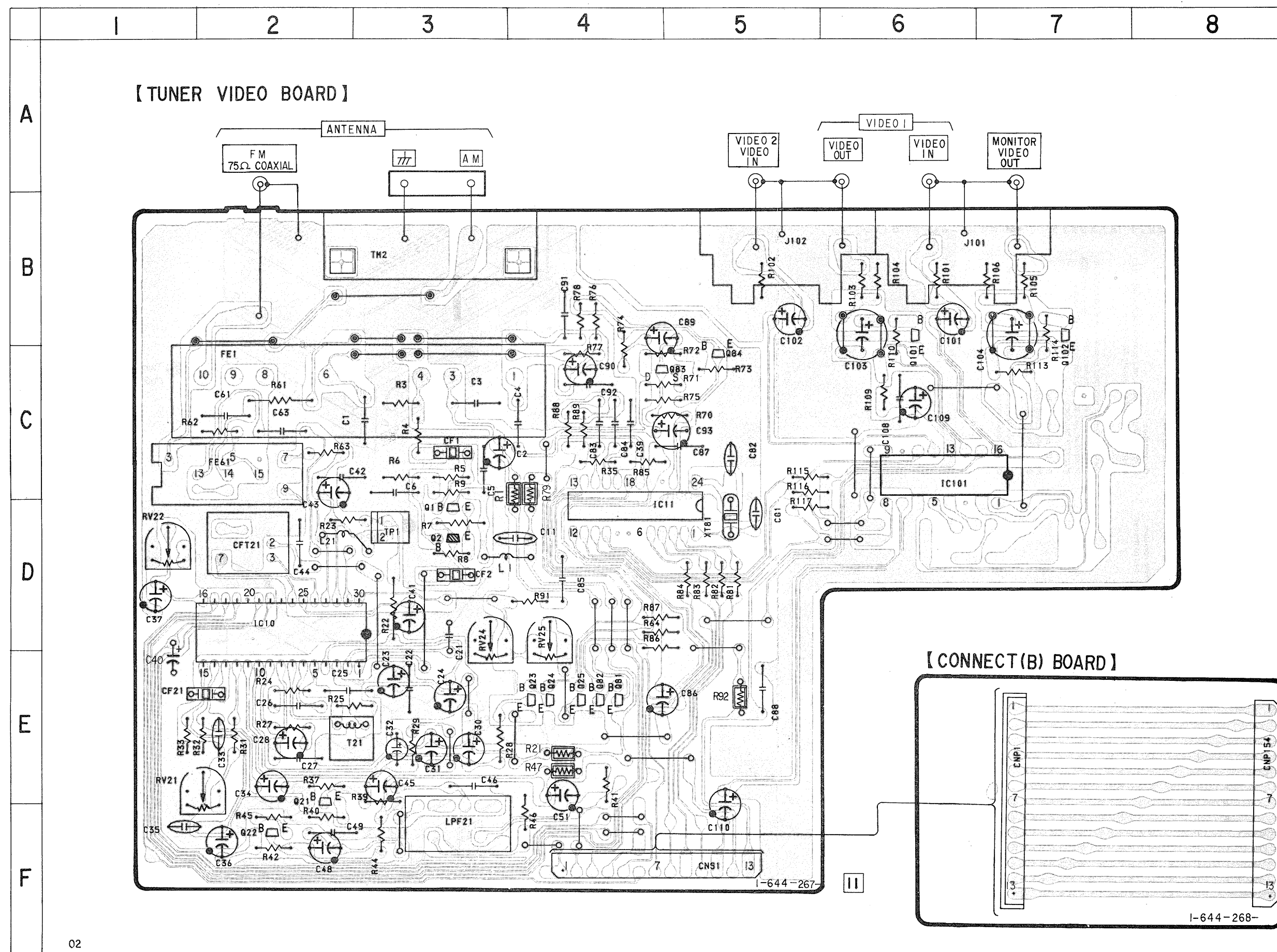
• SEMICONDUCTOR LOCATION

Ref. No.	Location
IC10	D-2
IC11	D-4
IC101	C-6
Q1	D-3
Q2	D-3
Q21	E-2
Q22	F-2
Q23	E-4
Q24	E-4
Q25	E-4
Q81	E-4
Q82	E-4
Q83	C-4
Q84	C-5
Q101	B-6
Q102	B-7

Note:

- : parts extracted from the component side.
- : parts extracted from the conductor side.
- : parts mounted on the conductor side.

4-3. PRINTED WIRING BOARDS - TUNER SECTION -

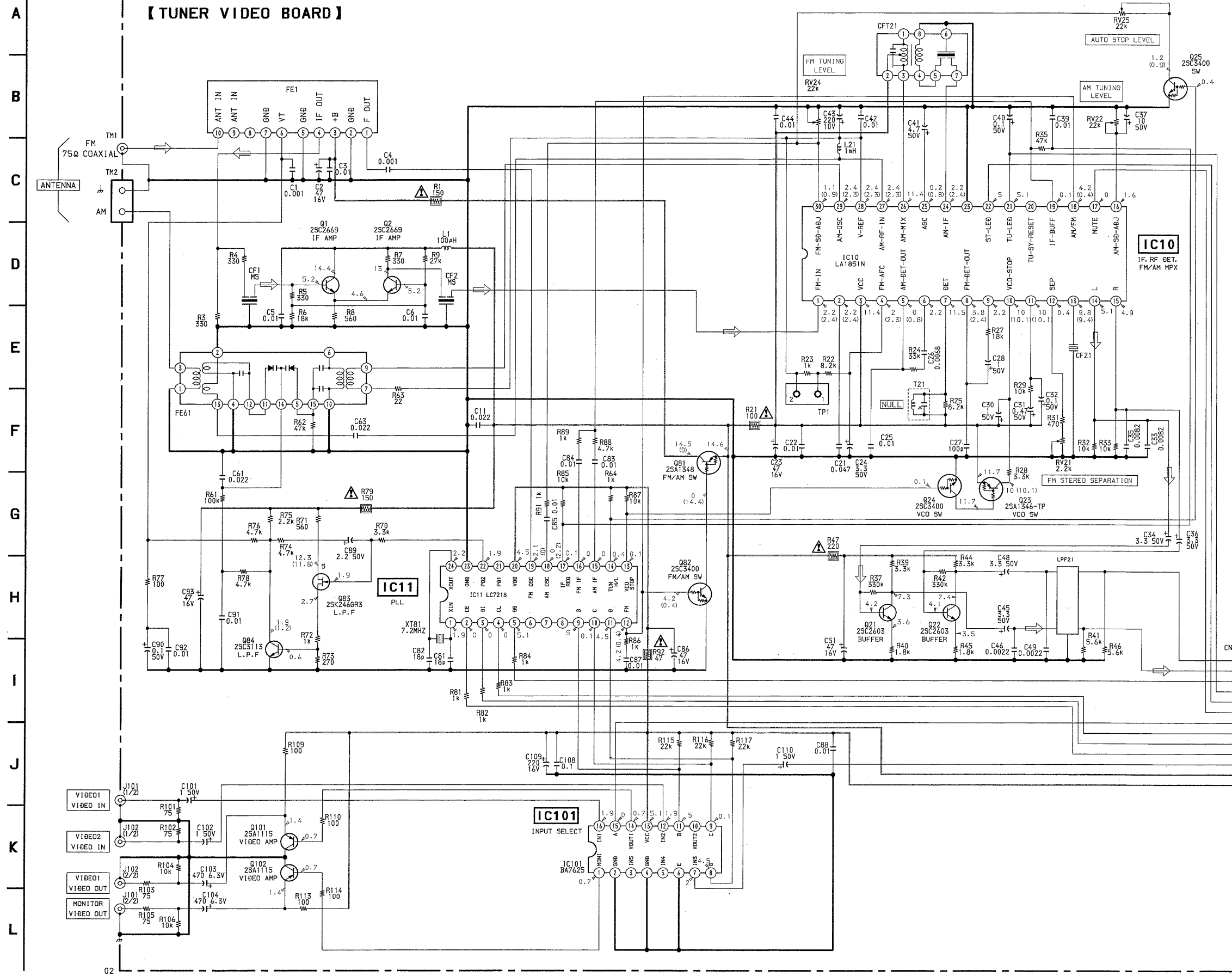


**A** TO MAIN BOARD  
CNP154  
(See page 25)



4-4. SCHEMATIC DIAGRAMS - TUNER SECTION -

1 2 3 4 5 6 7 8 9 10 11 12 13 14 15 16



Note :

- All capacitors are in  $\mu F$  unless otherwise noted. pF:  $\mu \mu F$  50WV or less are not indicated except for electrolytics and tantalums.
- All resistors are in  $\Omega$  and  $\frac{1}{4}W$  or less unless otherwise specified.
- [FW]** : nonflammable resistor.

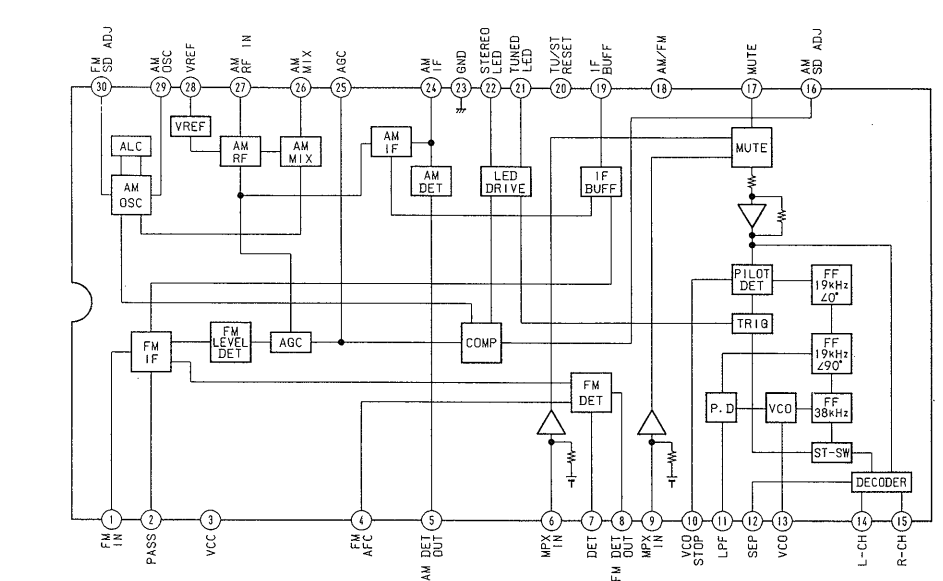
**Note :** The components identified by mark **[A]** or dotted line with mark **[A]** are critical for safety. Replace only with part number specified.

**Note :** Les composants identifiés par une marque **[A]** sont critiques pour la sécurité. Ne les remplacer que par une pièce portant le numéro spécifié.

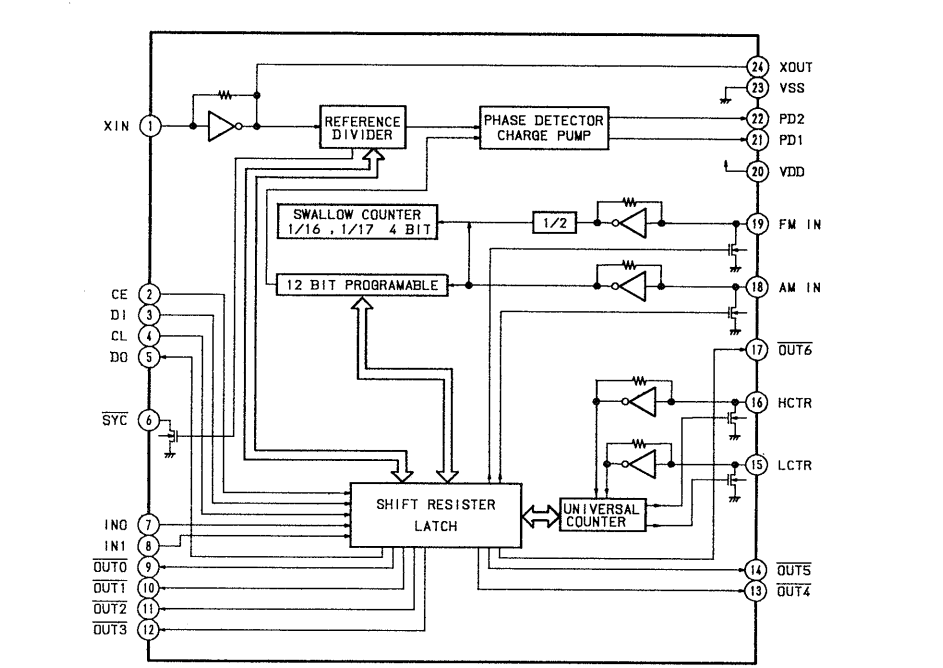
- [B+]** Line
- [B-]** Line
- [ ]** : adjustment for repair.
- Voltage and waveforms are dc with respect to ground under no-signal (detuned) conditions.
- Voltages are taken with a VOM (Input impedance 10M  $\Omega$ ). Voltage variations may be noted due to normal production tolerances.
- Signal path.
- [ ]** : FM

IC BLOCK DIAGRAMS

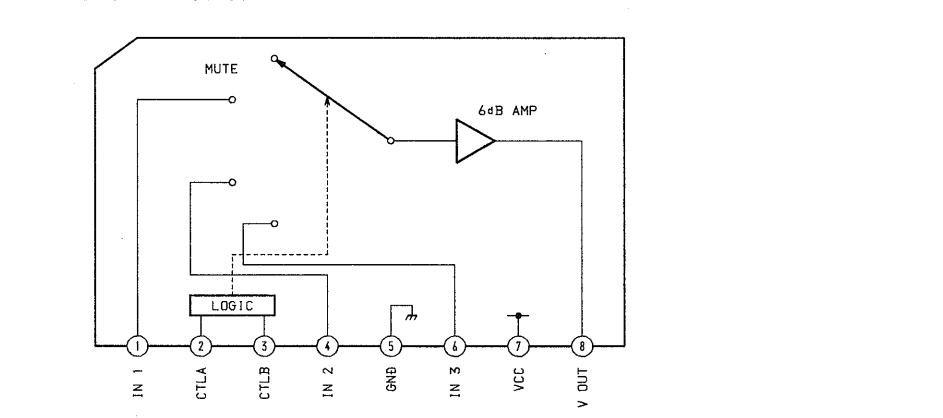
IC10 LA1851N



IC11 LC7218

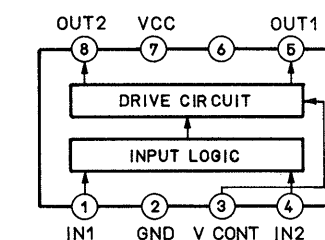


IC102 BA7611AN

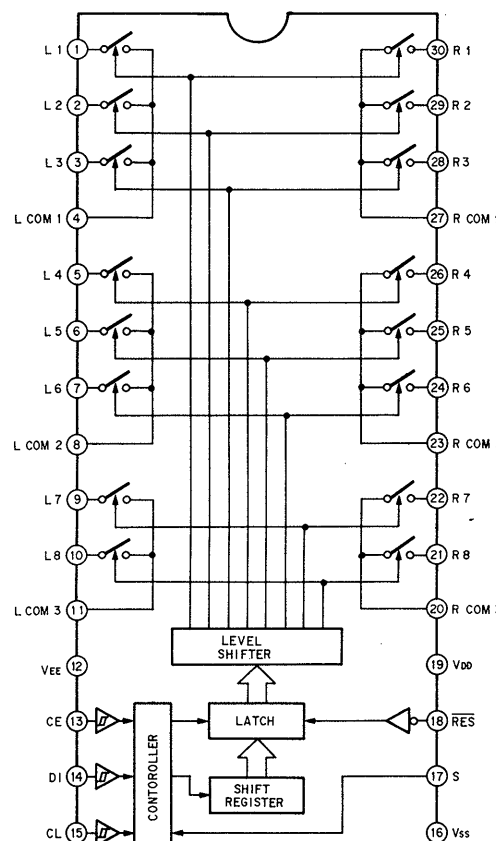




IC231 LB1639



IC510, 511 LC7822



Note :

All capacitors are in μ F unless otherwise noted. pF: μ μ F 50WV or less are not indicated except for electrolytics and tantalums.

All resistors are in Ω and 1/4W or less unless otherwise specified.

Ⓜ : nonflammable resistor.

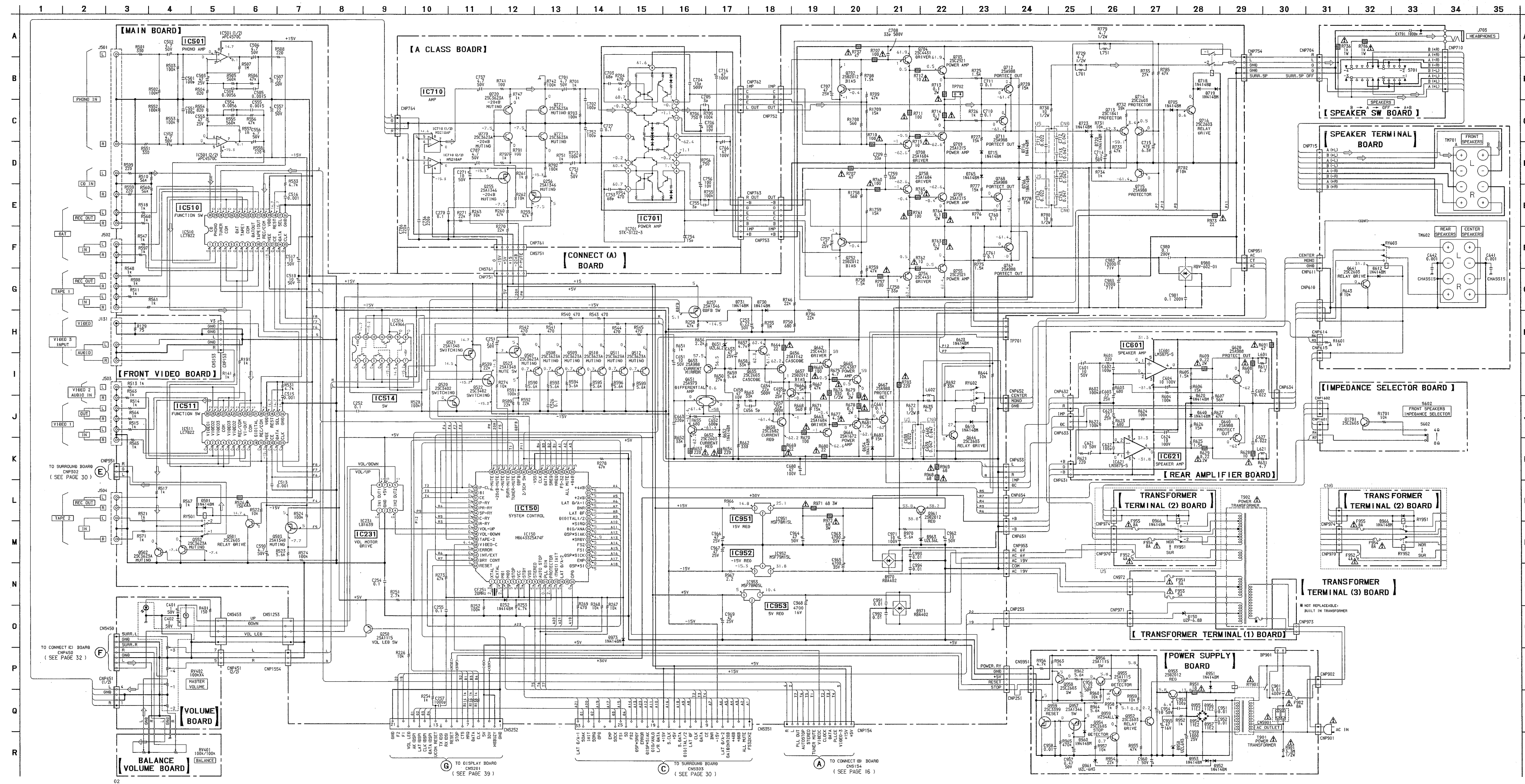
Note :

The components identified by mark Δ or dotted line with mark Δ are critical for safety. Replace only with part number specified.

Les composants identifiés par une marque Δ sont critiques pour la sécurité. Ne les remplacer que par une pièce portant le numéro spécifié.

- Legend for board connections: B+ Line, B - Line, adjustment for repair.

- Legend for signal paths: Voltage and waveforms are dc with respect to ground under no-signal (detuned) conditions. Voltages are taken with a VOM (input impedance 10M Ω). Voltage variations may be noted due to normal production tolerances. Signal path.





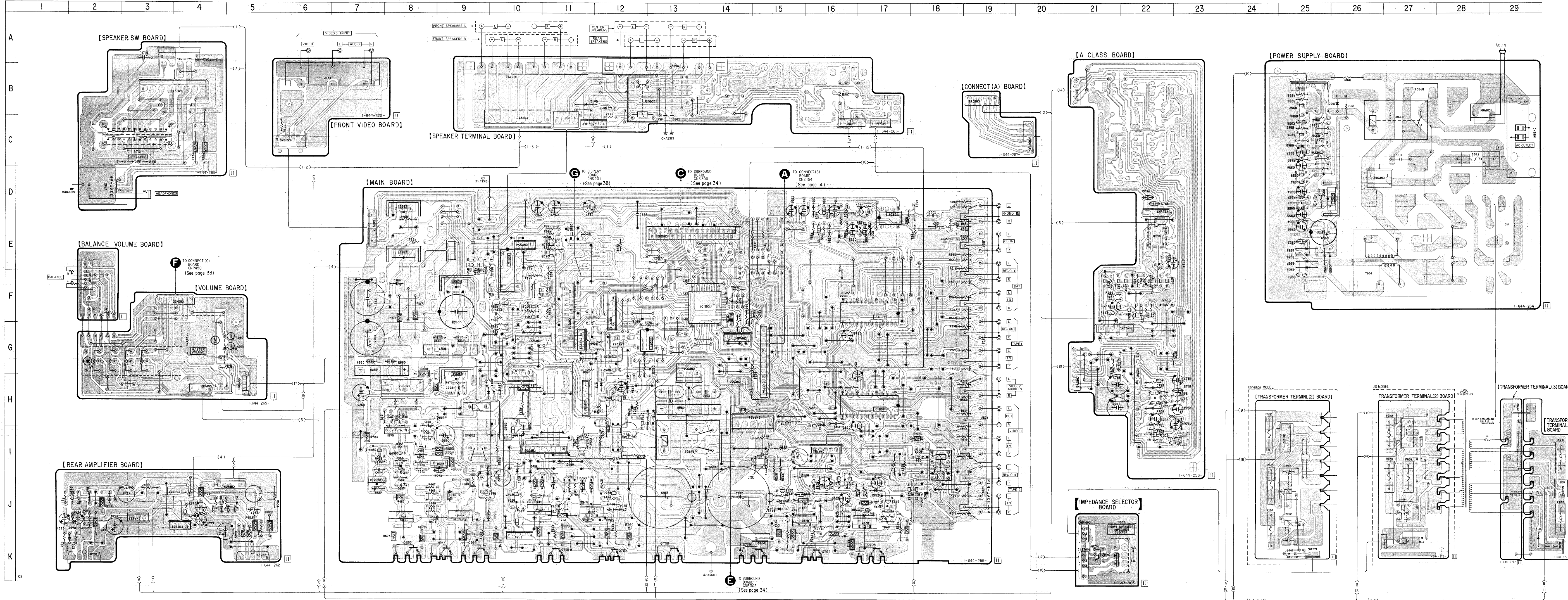
4-6. PRINTED WIRING BOARDS - MAIN SECTION - Refer to page 12 for Semiconductor Lead Layouts.

SEMICONDUCTOR LOCATION

Ref. No.	Location	Ref. No.	Location	Ref. No.	Location
D150	K-29	IC150	F-14	Q713	J-16
D252	F-14	IC251	G-13	Q714	J-16
D253	E-12	IC501	D-17	Q715	J-16
D501	I-18	IC510	F-17	Q716	H-12
D610	H-9	IC511	H-17	Q720	F-22
D611	H-10	IC514	E-10	Q721	F-21
D612	B-11	IC801	K-2	Q752	K-12
D620	J-2	IC621	K-5	Q754	J-10
D623	G-13	IC701	I-22	Q755	K-11
D640	J-5	IC851	E-8	Q756	J-11
D651	I-8	IC852	D-8	Q759	K-13
D652	I-8	IC953	F-9	Q767	J-10
D654	I-9			Q768	J-12
D701	J-16			Q770	G-22
D702	J-16	Q250	G-12	Q771	F-22
D703	J-17	Q255	H-22	Q952	B-25
D704	J-17	Q256	G-21	Q953	D-28
D705	H-12	Q257	G-12	Q954	D-25
D715	J-15	Q501	I-18	Q955	C-25
D716	J-17	Q502	J-18	Q956	C-25
D718	H-13	Q503	H-16	Q957	C-25
D719	H-13	Q507	E-11	Q958	D-25
D720	J-16	Q508	E-11	Q959	B-25
D723	J-17	Q509	F-10	Q961	G-9
D730	H-12	Q510	F-10		
D731	H-12	Q511	F-10		
D751	J-10	Q512	F-10		
D752	J-10	Q520	E-9		
D753	J-11	Q521	E-9		
D754	J-12	Q522	F-10		
D765	J-12	Q523	E-11		
D766	I-10	Q552	J-17		
Q780	I-11	Q820	J-2		
Q781	I-10	Q840	J-4		
D851	B-26	Q841	B-12		
D852	E-25	Q844	H-10		
D853	E-25	Q851	I-9		
D854	E-25	Q852	I-8		
D855	E-25	Q853	I-8		
D856	E-25	Q855	J-7		
D857	E-25	Q856	J-7		
D858	D-25	Q857	K-9		
D859	D-25	Q858	I-9		
D860	C-25	Q862	J-8		
D861	D-25	Q863	J-9		
D863	H-9	Q864	K-9		
D866	K-27	Q865	K-8		
D866	K-25	Q867	J-9		
D867	J-25	Q702	K-16		
D670	G-7	Q704	J-17		
D671	G-9	Q705	K-17		
D673	F-12	Q708	J-16		
D680	H-13	Q709	K-15		
		Q711	J-15		
		Q712	J-17		

Note:

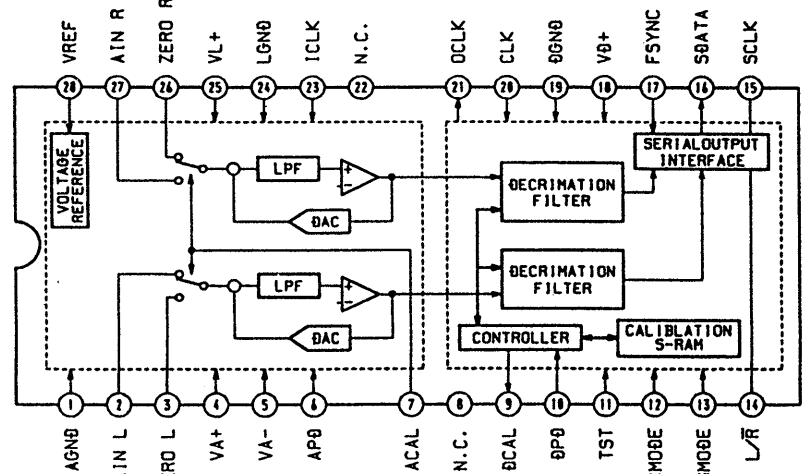
- : parts extracted from the component side.
- : parts extracted from the conductor side.
- : parts mounted on the conductor side.



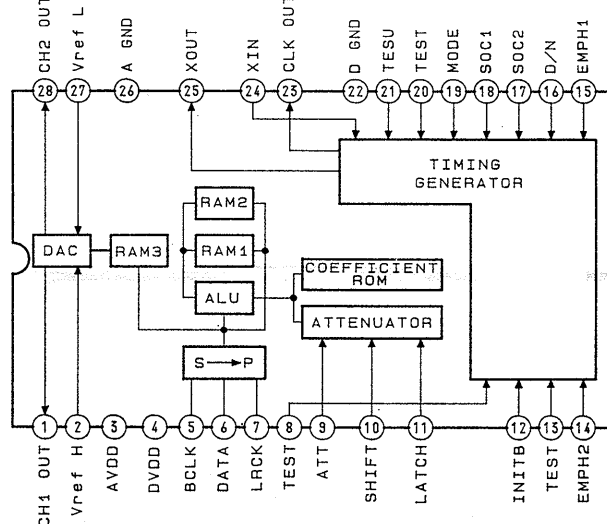


IC BLOCK DIAGRAMS

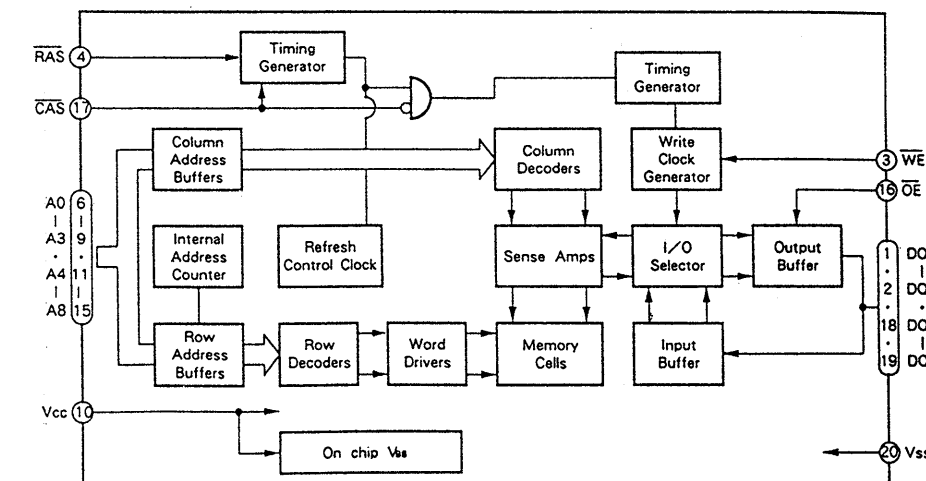
IC301 CS5339-KP



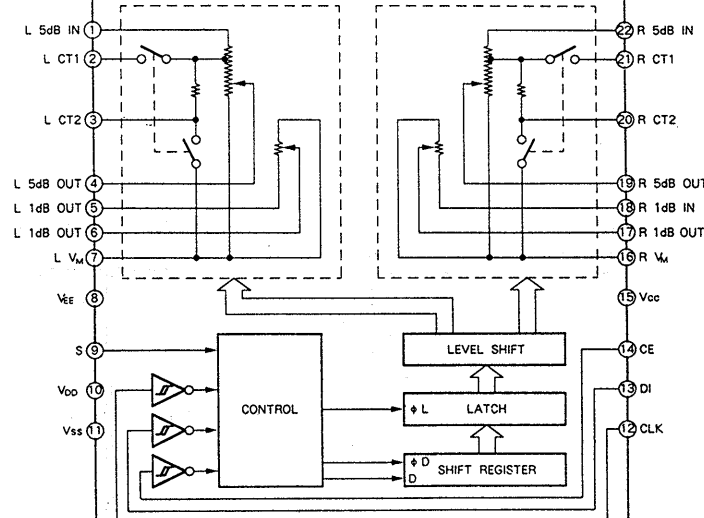
IC307 LC7883K



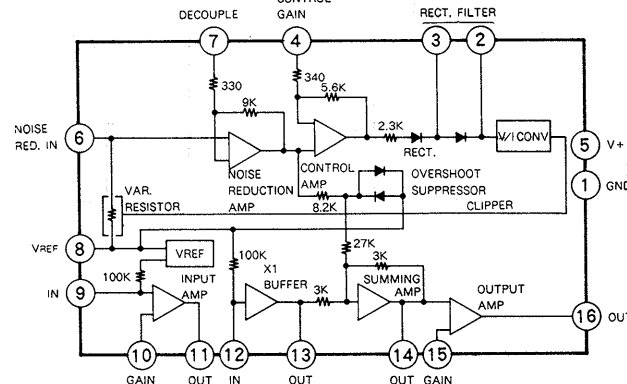
IC406 LC32456-10



IC418 LC7535



IC420 LA2730



Note:

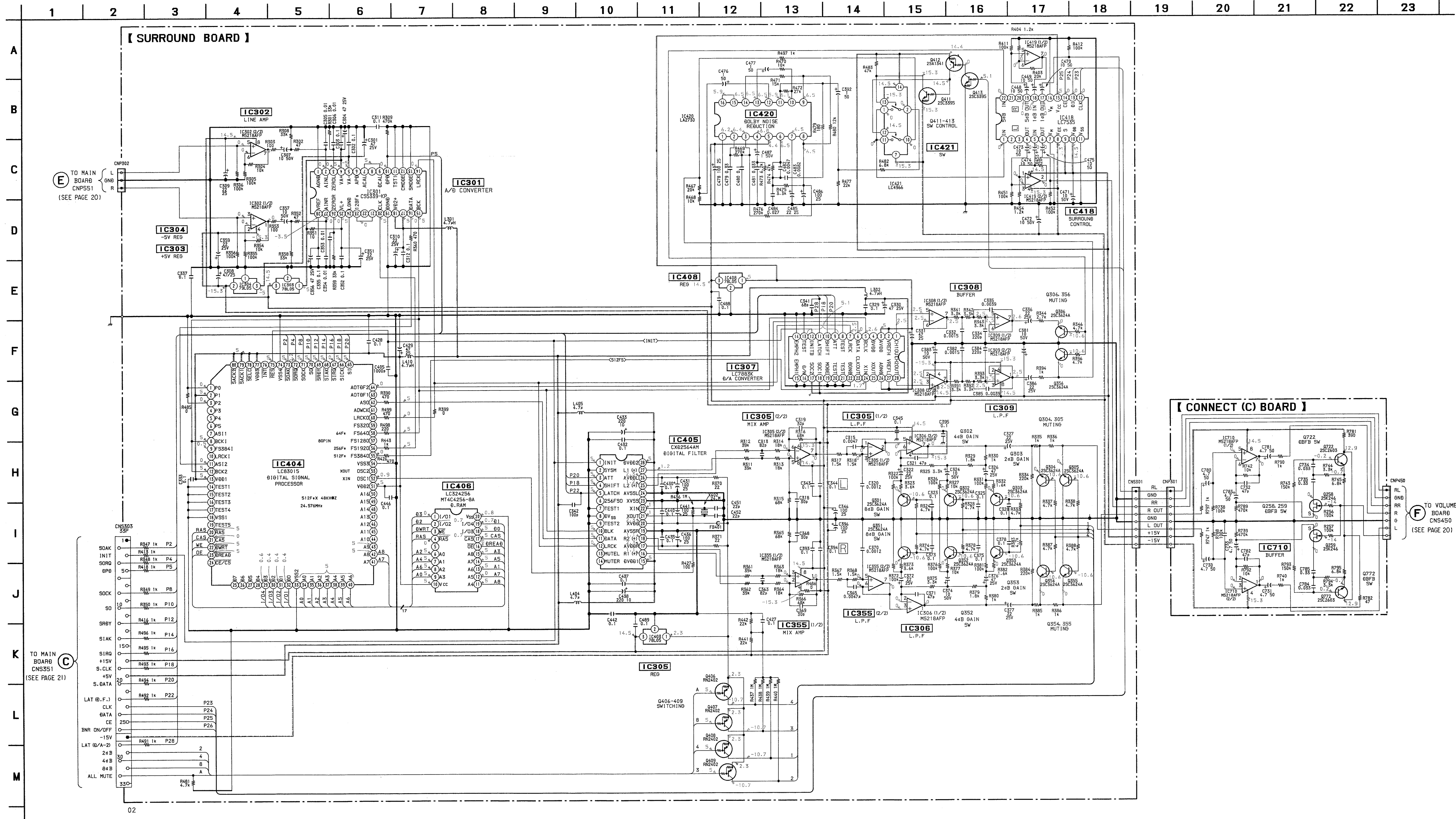
- All capacitors are in  $\mu$ F unless otherwise noted. pF:  $\mu$ F
- 50WV or less are not indicated except for electrolytics and tantalums.
- All resistors are in  $\Omega$  and  $1/4W$  or less unless otherwise specified.
- : nonflammable resistor.

Note: The components identified by mark or dotted line with mark are critical for safety. Replace only with part number specified.

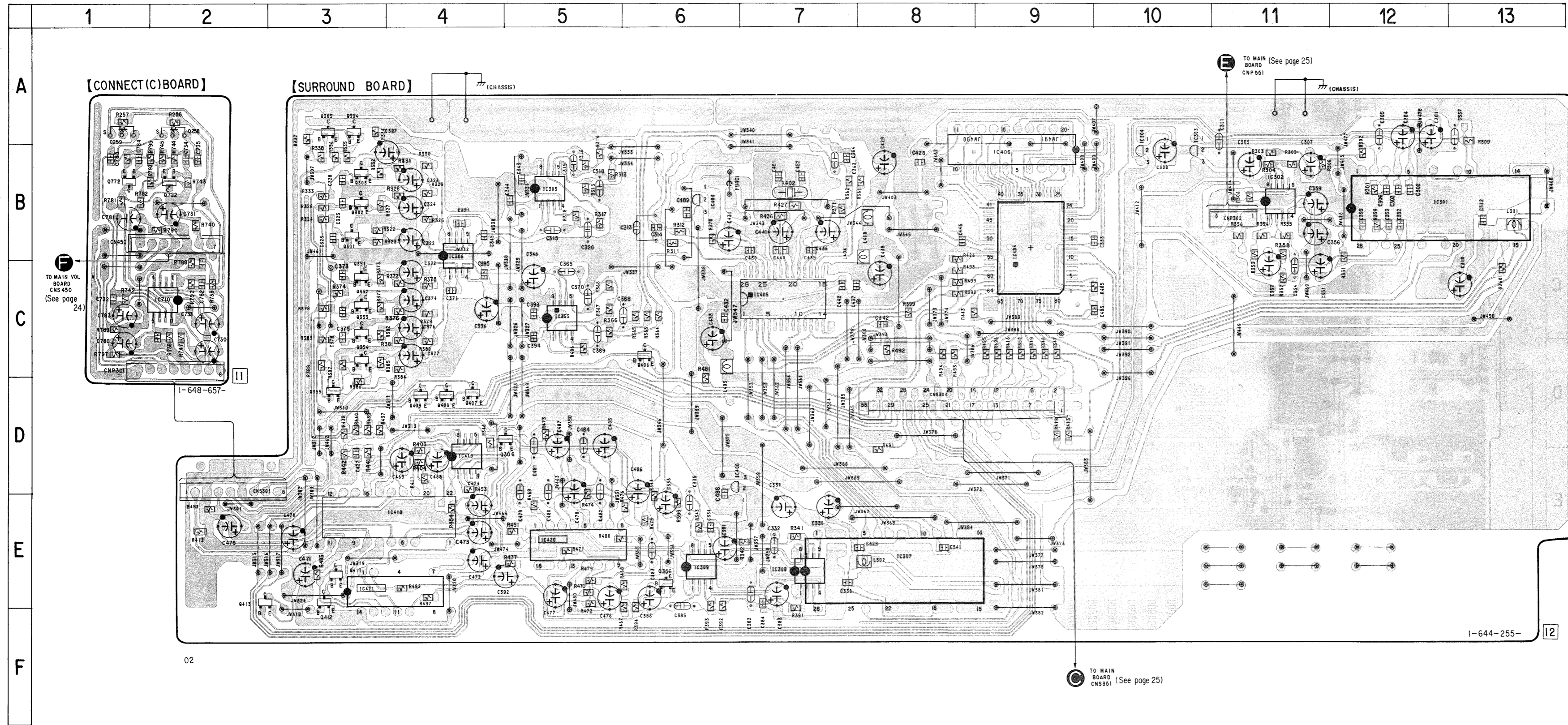
Note: Les composants identifiés par une marque sont critiques pour la sécurité. Ne les remplacer que par une pièce portant le numéro spécifié.

- : B+ Line
- : B- Line
- : adjustment for repair.
- Voltage and waveforms are dc with respect to ground under no-signal (detuned) conditions.
- Voltagens are taken with a VOM (Input impedance 10M  $\Omega$ ).
- Voltage variations may be noted due to normal production tolerances.

4-7. SCHEMATIC DIAGRAMS - DIGITAL SECTION -



4-8. PRINTED WIRING BOARDS - DIGITAL SECTION - • Refer to page 12 for Semiconductor Lead Layouts.



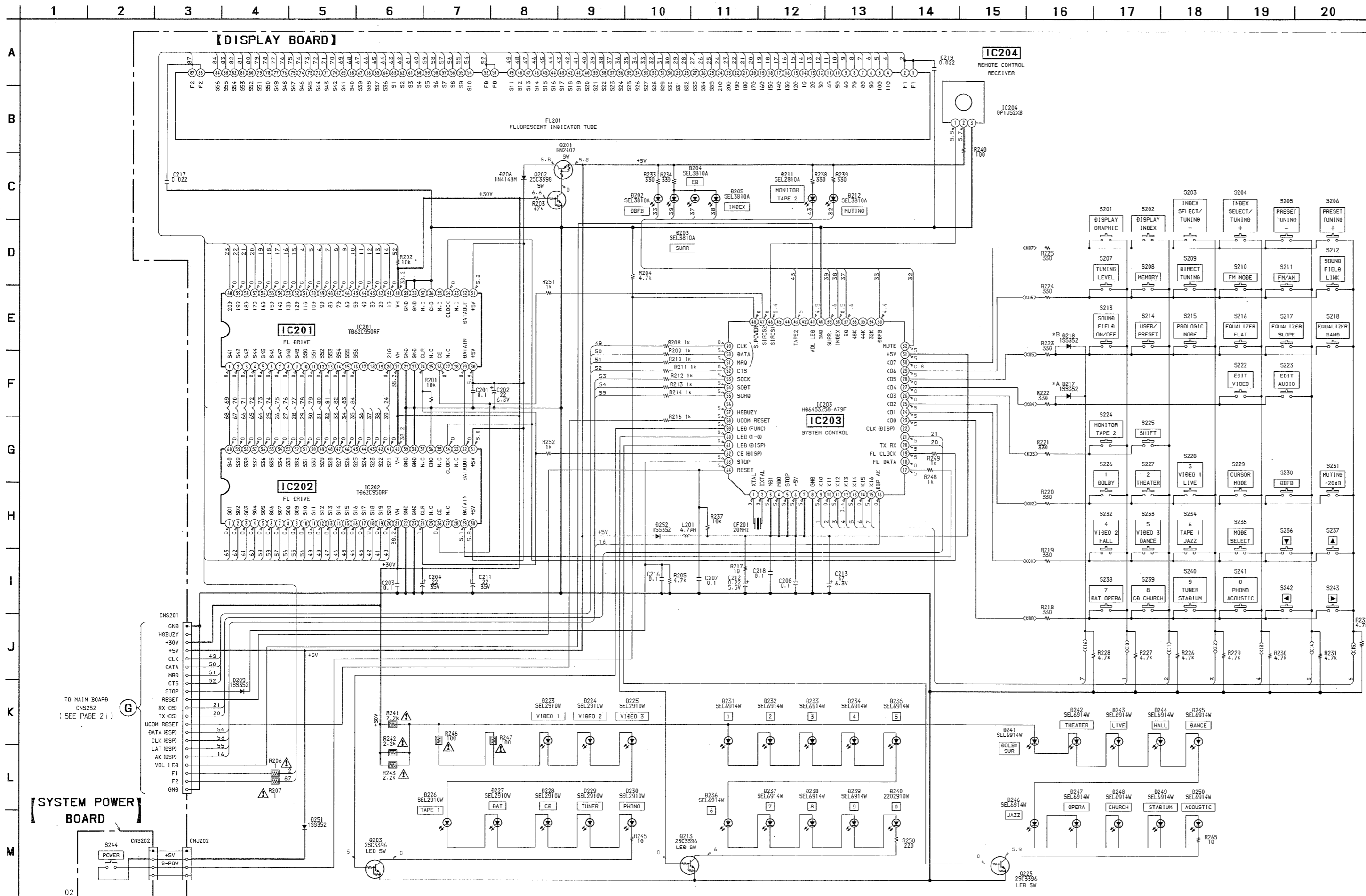
• SEMICONDUCTOR LOCATION

Ref. No.	Location
IC301	B - 12
IC302	B - 11
IC303	B - 10
IC304	B - 10
IC305	B - 5
IC306	B - 4
IC307	E - 8
IC308	E - 7
IC309	E - 6
IC355	C - 5
IC403	B - 6
IC404	B - 9
IC405	C - 7
IC406	B - 9
IC408	D - 6
IC418	E - 4
IC419	D - 4
IC420	E - 5
IC421	E - 4
IC710	C - 2
Q258	A - 2
Q259	A - 1
Q301	B - 3
Q302	B - 3
Q303	B - 3
Q304	A - 3
Q305	A - 3
Q306	D - 5
Q351	C - 3
Q352	C - 3
Q353	C - 3
Q354	C - 3
Q355	D - 3
Q356	E - 6
Q406	C - 6
Q407	D - 4
Q408	D - 4
Q409	D - 4
Q411	E - 3
Q412	E - 3
Q413	E - 2
Q722	B - 2
Q772	B - 1

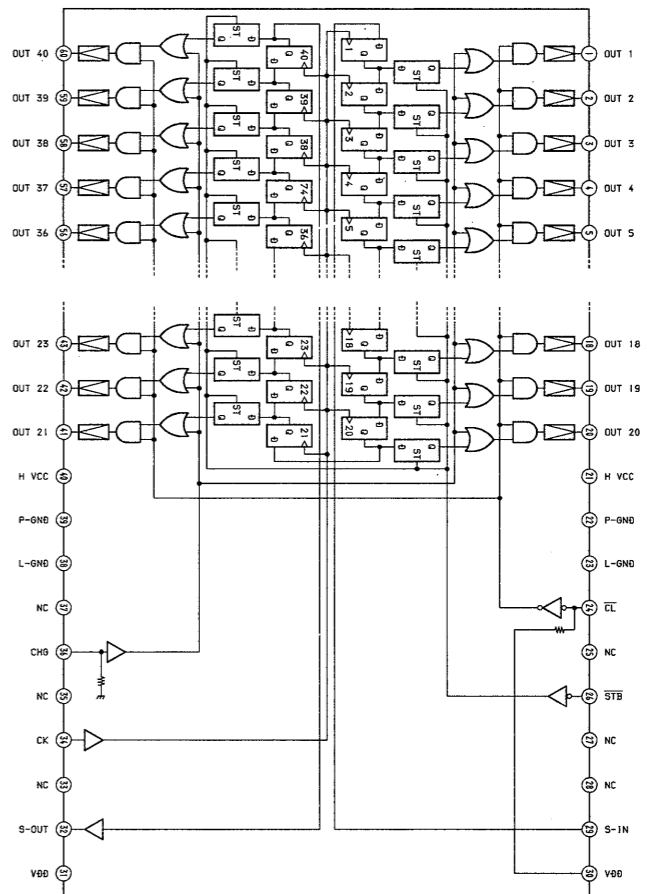
- : parts extracted from the component side.
- : parts extracted from the conductor side.
- : parts mounted on the conductor side.







● IC BLOCK DIAGRAMS  
IC201, 202 TD62C950RF



**Note :**

- All capacitors are in  $\mu F$  unless otherwise noted, pF:  $\mu F$  50WV or less are not indicated except for electrolytics and tantalums.
- All resistors are in  $\Omega$  and  $\frac{1}{4}W$  or less unless otherwise specified.
- : nonflammable resistor.

**Note :**  
The components identified by mark or dotted line with mark are critical for safety. Replace only with part number specified.

**Note :**  
Les composants identifiés par une marque sont critiques pour la sécurité. Ne les remplacer que par une pièce portant le numéro spécifié.

- : B+ Line
- : B- Line
- : adjustment for repair.
- Voltage and waveforms are do with respect to ground under no-signal (detuned) conditions.
- Voltages are taken with a VOM (Input impedance 10M  $\Omega$ ). Voltage variations may be noted due to normal production tolerances.
- See page 9 for \* A, \* B note.



## SECTION 5 EXPLODED VIEWS

**NOTE :**

- -XX, -X mean standardized parts, so they may have some difference from the original one.
- The construction parts of an assembled part are indicated with a collation number in the remark column.
- Color indication of Appearance Parts  
Example :  
KNOB, BALANCE (WHITE)...(RED)

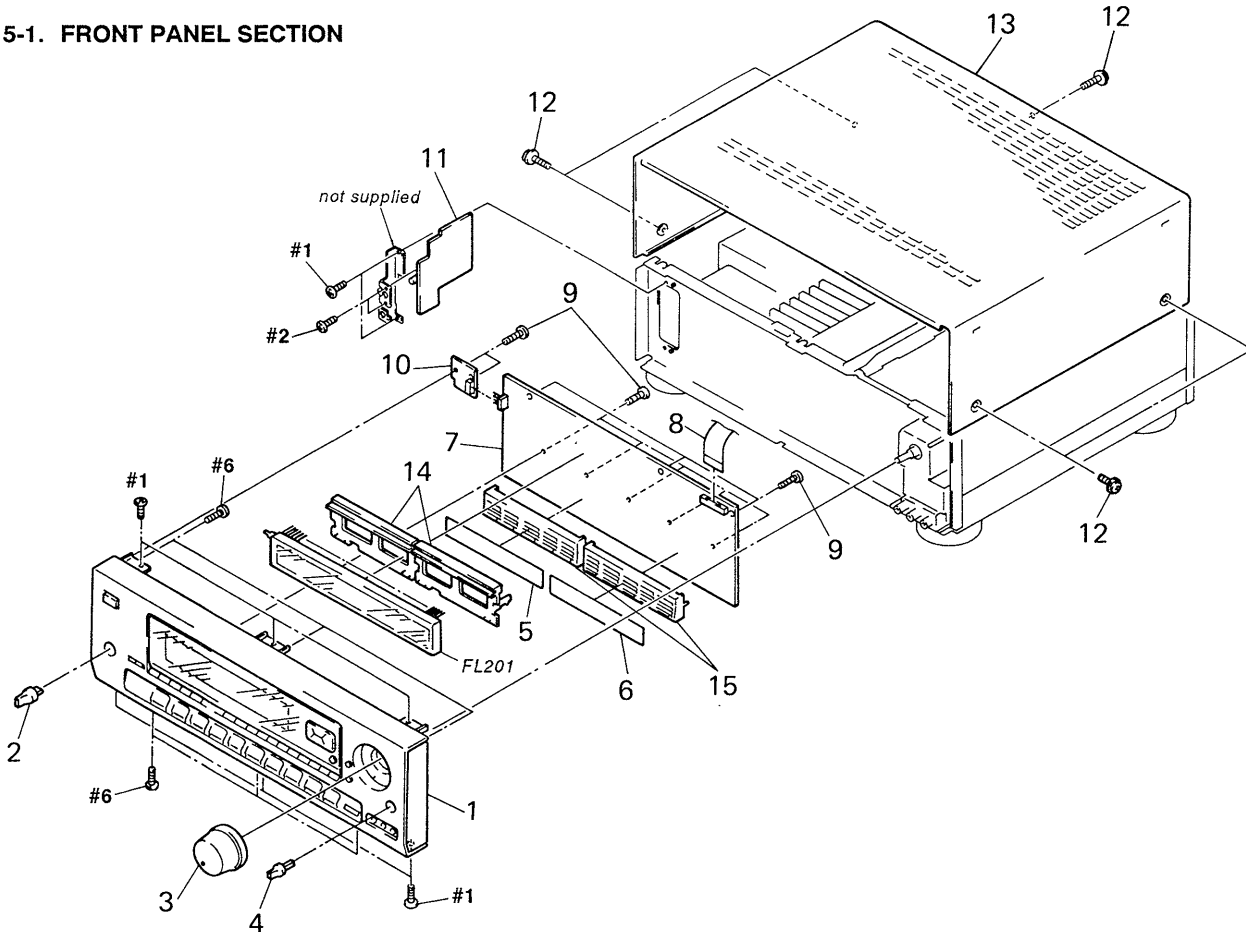
↑
↑  
 Parts color      Cabinet's color

- Items marked " \* " are not stocked since they are seldom required for routine service. Some delay should be anticipated when ordering these items.
- The mechanical parts with no reference number in the exploded views are not supplied.
- Hardware ( # mark) list is given in the last of this parts list.

The components identified by mark or dotted line with mark are critical for safety. Replace only with part number specified.

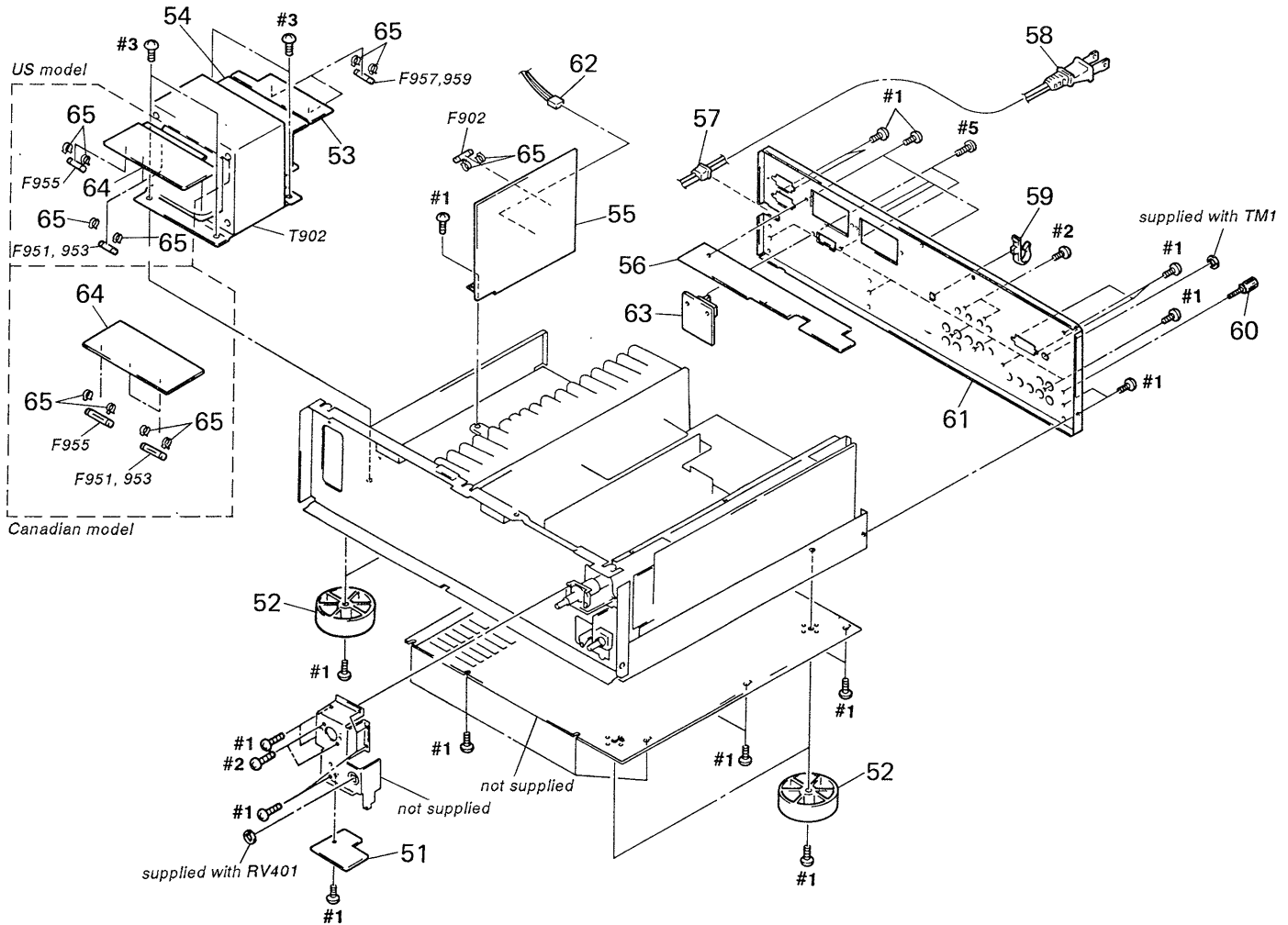
Les composants identifiés par une marque sont critiques pour la sécurité. Ne les remplacer que par une pièce portant le numéro spécifié.

### 5-1. FRONT PANEL SECTION



Ref. No.	Part No.	Description	Remark	Ref. No.	Part No.	Description	Remark
1	X-4943-633-2	PANEL ASSY, FRONT		9	4-928-635-01	SCREW, +BV (2.6X8) TAPPING	
2	4-908-097-21	KNOB		* 10	1-648-656-11	SYSTEM POWER BOARD	
3	X-4943-036-1	KNOB (48X) ASSY		* 11	1-644-263-11	SPEAKER SW BOARD	
4	4-925-014-01	KNOB (DIA. 10)		12	3-704-366-01	SCREW (CASE) (M3X8)	
* 5	4-954-181-01	PLATE (F), INDICATION		* 13	4-927-877-11	CASE	
* 6	4-954-181-11	PLATE (F), INDICATION		* 14	4-952-472-01	HOLDER (S), FL TUBE	
* 7	A-4360-647-A	DISPLAY BOARD, COMPLETE		* 15	4-952-473-01	HOLDER (S), LED	
8	1-690-091-11	WIRE, FLAT TYPE (21 CORE)		FL201	1-519-724-11	INDICATOR TUBE, FLUORESCENT	

## 5-2. CHASSIS SECTION

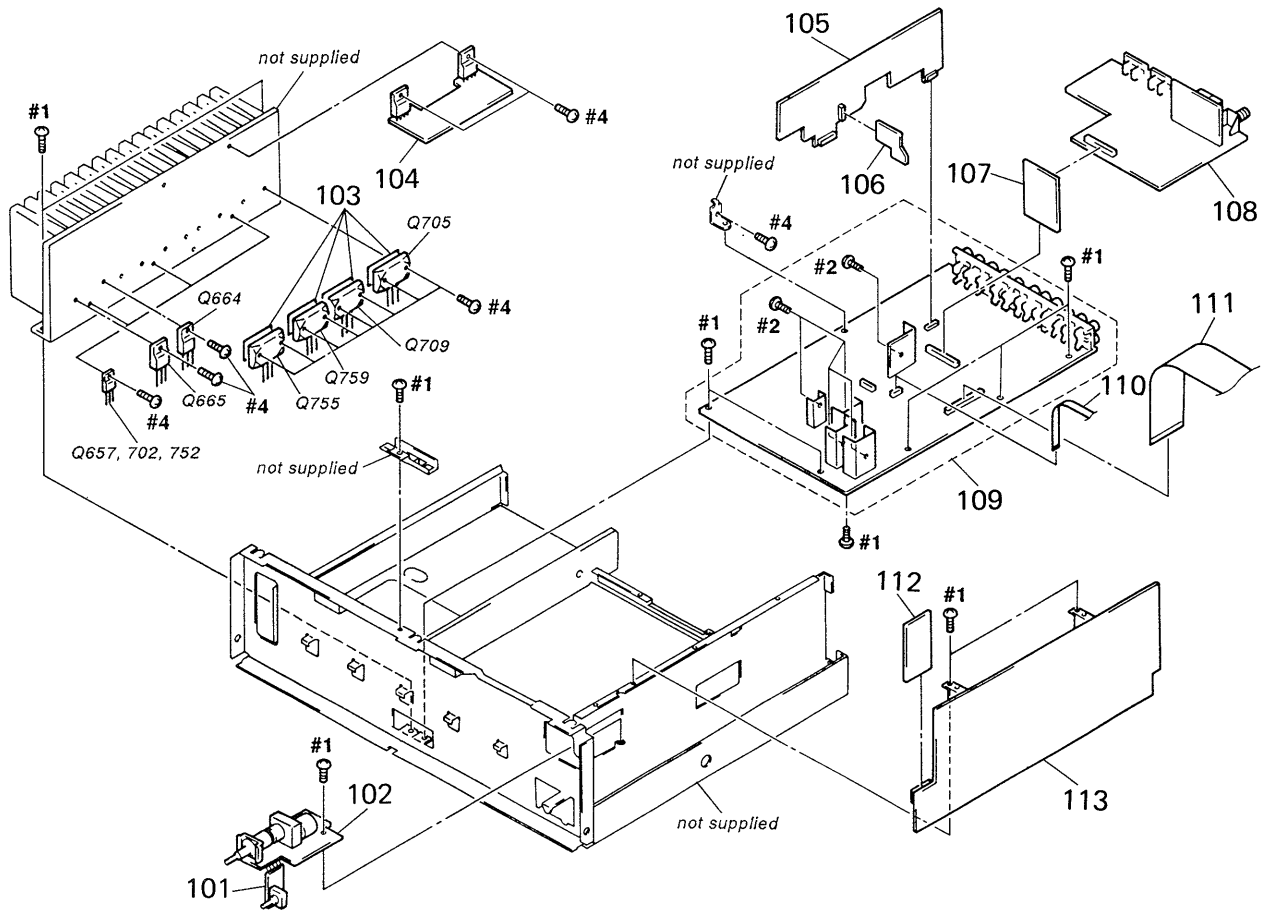


The components identified by mark  $\triangle$  or dotted line with mark  $\triangle$  are critical for safety. Replace only with part number specified.

Les composants identifiés par une marque  $\triangle$  sont critiques pour la sécurité. Ne les remplacer que par une pièce portant le numéro spécifié.

Ref. No.	Part No.	Description	Remark	Ref. No.	Part No.	Description	Remark
* 51	1-644-270-11	FRONT VIDEO BOARD		* 63	1-647-965-11	IMPEDANCE SELECTOR BOARD	
52	4-956-885-01	FOOT (F58175S2W)		* 64	1-644-272-11	TRANSFORMER TERMINAL(2) BOARD (US)	
* 53	1-644-271-11	TRANSFORMER TERMINAL(1) BOARD		* 64	1-645-942-11	TRANSFORMER TERMINAL(2) BOARD (Canadian)	
* 54	1-644-273-11	TRANSFORMER TERMINAL(3) BOARD		65	1-533-225-11	HOLDER, FUSE	
* 55	A-4365-126-A	POWER SUPPLY BOARD, COMPLETE		$\triangle$ F902	1-532-749-11	FUSE, GLASS TUBE (8A/125V)	
* 56	1-644-261-11	SPEAKER TERMINAL BOARD		$\triangle$ F951	1-532-749-11	FUSE, GLASS TUBE (8A/125V)	
* 57	3-703-244-00	BUSHING (2104), CORD		$\triangle$ F953	1-532-749-11	FUSE, GLASS TUBE (8A/125V)	
58	1-575-975-11	CORD, POWER		$\triangle$ F955	1-576-108-11	FUSE (4A/125V)	
* 59	4-949-235-01	HOOK		$\triangle$ F957	1-576-109-11	FUSE (5A/125V)	
60	4-947-010-01	SCREW, FEEDER FIXED		$\triangle$ F959	1-576-109-11	FUSE (5A/125V)	
* 61	4-952-499-72	PANEL, BACK (US)		$\triangle$ T902	1-423-643-11	TRANSFORMER, POWER (US)	
* 61	4-952-499-82	PANEL, BACK (Canadian)		$\triangle$ T902	1-423-697-11	TRANSFORMER, POWER (Canadian)	
62	1-696-073-21	LEAD (WITH CONNECTOR) (2 CORE)					

### 5-3. MAIN BOARD SECTION



Ref. No.	Part No.	Description	Remark
* 101	1-644-266-11	BALANCE VOLUME BOARD	
* 102	1-644-265-11	VOLUME BOARD	
	103	4-885-901-31 SHEET, RADIATION	
* 104	A-4360-930-A	REAR AMPLIFIER BOARD, COMPLETE	
* 105	A-4360-931-A	A CLASS BOARD, COMPLETE	
* 106	1-644-257-11	CONNECT (A) BOARD	
* 107	1-644-268-11	CONNECT (B) BOARD	
* 108	A-4347-954-A	TUNER VIDEO BOARD, COMPLETE	
* 109	A-4360-932-A	MAIN BOARD, COMPLETE (US)	
* 109	A-4360-933-A	MAIN BOARD, COMPLETE (Canadian)	
110	1-575-848-11	WIRE, FLAT TYPE (5 CORE)	
111	1-696-550-11	WIRE (FLAT TYPE) (33 CORE)	

Ref. No.	Part No.	Description	Remark
* 112	A-4360-682-A	CONNECT (C) BOARD, COMPLETE	
* 113	A-4360-681-A	SURROUND BOARD, COMPLETE	
	Q657	8-729-209-15 TRANSISTOR	2SD2012
	Q664	8-729-321-24 TRANSISTOR	2SA1672-OY
	Q665	8-729-321-21 TRANSISTOR	2SC4387-OY
	Q702	8-729-209-15 TRANSISTOR	2SD2012
	Q705	8-729-320-96 TRANSISTOR	2SC2921-OPY
	Q709	8-729-320-73 TRANSISTOR	2SA1215-OY
	Q752	8-729-209-15 TRANSISTOR	2SD2012
	Q755	8-729-320-96 TRANSISTOR	2SC2921-OPY
	Q759	8-729-320-73 TRANSISTOR	2SA1215-OY



**BALANCE VOLUME****CONNECT(A)****CONNECT(B)****CONNECT(C)****DISPLAY**

Ref.No.	Part No.	Description	Remark
*	1-644-266-11	BALANCE VOLUME BOARD *****	
		< VARIABLE RESISTOR >	
RV401	1-241-963-11	RES, VAR, CARBON 100K/100K (BALANCE) *****	
*	1-644-257-11	CONNECT (A) BOARD *****	
		< CONNECTOR >	
* CNS751	1-691-176-11	CONNECTOR (BOARD TO BOARD) 6P	
* CNS761	1-691-176-11	CONNECTOR (BOARD TO BOARD) 6P *****	
*	1-644-268-11	CONNECT (B) BOARD *****	
		< CONNECTOR >	
CNP1	1-691-170-11	PIN, CONNECTOR 13P  < CONNECTOR >	
* CNS154	1-691-183-11	CONNECTOR (BOARD TO BOARD) 13P *****	
*	A-4360-682-A	CONNECT (C) BOARD, COMPLETE *****	
		< CAPACITOR >	
C730	1-124-927-11	ELECT 4.7uF 20% 100V	
C731	1-124-927-11	ELECT 4.7uF 20% 100V	
C732	1-163-109-00	CERAMIC CHIP 47PF 5% 50V	
C733	1-124-927-11	ELECT 4.7uF 20% 100V	
C734	1-163-989-11	CERAMIC CHIP 0.033uF 10% 25V	
C735	1-164-336-11	CERAMIC CHIP 0.33uF 25V	
C780	1-124-927-11	ELECT 4.7uF 20% 100V	
C781	1-124-927-11	ELECT 4.7uF 20% 100V	
C782	1-163-109-00	CERAMIC CHIP 47PF 5% 50V	
C783	1-124-927-11	ELECT 4.7uF 20% 100V	
C784	1-163-989-11	CERAMIC CHIP 0.033uF 10% 25V	
C785	1-164-336-11	CERAMIC CHIP 0.33uF 25V	
		< CONNECTOR >	
CNP301	1-573-146-11	PLUG, CONNECTOR 8P	
CNP450	1-691-164-11	PIN, CONNECTOR 7P  < IC >	
IC710	8-759-636-55	IC M5218AFP	

Ref.No.	Part No.	Description	Remark
		< TRANSISTOR >	
Q258	8-729-201-56	TRANSISTOR 2SK246-GR2	
Q259	8-729-201-56	TRANSISTOR 2SK246-GR2	
Q722	8-729-802-80	TRANSISTOR 2SC3661	
Q772	8-729-802-80	TRANSISTOR 2SC3661	
		< RESISTOR >	
R256	1-216-097-00	METAL CHIP 100K 5% 1/10W	
R257	1-216-097-00	METAL CHIP 100K 5% 1/10W	
R738	1-216-097-00	METAL CHIP 100K 5% 1/10W	
R739	1-216-113-00	METAL CHIP 470K 5% 1/10W	
R740	1-216-049-00	METAL CHIP 1K 5% 1/10W	
R742	1-216-073-00	METAL CHIP 10K 5% 1/10W	
R743	1-216-101-00	METAL CHIP 150K 5% 1/10W	
R744	1-216-061-00	METAL CHIP 3.3K 5% 1/10W	
R745	1-216-069-00	METAL CHIP 6.8K 5% 1/10W	
R747	1-216-049-00	METAL CHIP 1K 5% 1/10W	
R781	1-216-039-00	METAL CHIP 390 5% 1/10W	
R782	1-216-017-00	METAL CHIP 47 5% 1/10W	
R788	1-216-097-00	METAL CHIP 100K 5% 1/10W	
R789	1-216-113-00	METAL CHIP 470K 5% 1/10W	
R790	1-216-049-00	METAL CHIP 1K 5% 1/10W	
R792	1-216-073-00	METAL CHIP 10K 5% 1/10W	
R793	1-216-101-00	METAL CHIP 150K 5% 1/10W	
R794	1-216-061-00	METAL CHIP 3.3K 5% 1/10W	
R795	1-216-069-00	METAL CHIP 6.8K 5% 1/10W	
R797	1-216-049-00	METAL CHIP 1K 5% 1/10W *****	
*	A-4360-647-A	DISPLAY BOARD, COMPLETE *****	
		< CAPACITOR >	
C201	1-164-004-11	CERAMIC CHIP 0.1uF 10% 25V	
C202	1-124-638-11	ELECT 22uF 20% 10V	
C203	1-136-165-00	FILM 0.1uF 5% 50V	
C204	1-124-916-11	ELECT 22uF 20% 63V	
C207	1-136-165-00	FILM 0.1uF 5% 50V	
C208	1-136-165-00	FILM 0.1uF 5% 50V	
C211	1-124-916-11	ELECT 22uF 20% 63V	
C212	1-104-905-11	CAP, DOUBLE LAYERS 0.22F	
C213	1-126-154-11	ELECT 47uF 20% 6.3V	
C216	1-136-165-00	FILM 0.1uF 5% 50V	
C217	1-164-097-11	CERAMIC 0.022uF 50V	
C218	1-164-004-11	CERAMIC CHIP 0.1uF 10% 25V	
C219	1-164-097-11	CERAMIC 0.022uF 50V	
		< FILTER >	
CF201	1-567-928-11	VIBLATOR, CERAMIC (20MHz)	

# DISPLAY

Ref. No.	Part No.	Description	Remark	Ref. No.	Part No.	Description	Remark
		< JACK >				< FILTER >	
* CNJ202	1-565-480-11	CONNECTOR, BOARD TO BOARD 4P		FL201	1-519-724-11	INDICATOR TUBE, FLUORESCENT	
		< CONNECTOR >				< IC >	
* CNS201	1-695-382-21	PIN, CONNECTOR (PC BOARD) 21P		IC201	8-759-075-35	IC TD62C950RF	
		< DIODE >		IC202	8-759-075-35	IC TD62C950RF	
D202	8-719-313-72	LED SEL3810A-CD (D. B. F. B)		IC203	8-759-182-69	IC HD6433258A79F	
D203	8-719-313-72	LED SEL3810A-CD (SURR)		IC204	8-749-920-83	IC GPIU52XB	
D204	8-719-313-72	LED SEL3810A-CD (EQ)				< COIL >	
D205	8-719-313-72	LED SEL3810A-CD (INDEX)		L201	1-410-377-31	INDUCTOR CHIP 4.7uH	
D206	8-719-016-74	DIODE 1SS352				< TRANSISTOR >	
D209	8-719-016-74	DIODE 1SS352		Q201	8-729-207-68	TRANSISTOR RN2402	
D211	8-719-301-49	LED SEL2810A (MONITOR TAPE2)		Q202	8-729-805-41	TRANSISTOR 2SC3398	
D212	8-719-313-72	LED SEL3810A-CD (MUTING)		Q203	8-729-805-43	TRANSISTOR 2SC3396	
D217	8-719-016-74	DIODE 1SS352		Q213	8-729-805-43	TRANSISTOR 2SC3396	
D218	8-719-016-74	DIODE 1SS352		Q223	8-729-805-43	TRANSISTOR 2SC3396	
D223	8-719-030-50	DIODE SEL6914W-TP6S (VIDEO 1)				< RESISTOR >	
D224	8-719-030-50	DIODE SEL6914W-TP6S (VIDEO 2)		R201	1-216-073-00	METAL CHIP 10K 5% 1/10W	
D225	8-719-030-50	DIODE SEL6914W-TP6S (VIDEO 3)		R202	1-216-073-00	METAL CHIP 10K 5% 1/10W	
D226	8-719-030-50	DIODE SEL6914W-TP6S (TAPE 1)		R203	1-216-089-00	METAL CHIP 47K 5% 1/10W	
D227	8-719-030-50	DIODE SEL6914W-TP6S (DAT)		R204	1-216-065-00	METAL CHIP 4.7K 5% 1/10W	
D228	8-719-030-50	DIODE SEL6914W-TP6S (CD)		R205	1-216-065-00	METAL CHIP 4.7K 5% 1/10W	
D229	8-719-030-50	DIODE SEL6914W-TP6S (TUNER)		△R206	1-249-381-11	CARBON 1 5% 1/4W F	
D230	8-719-030-50	DIODE SEL6914W-TP6S (PHONO)		△R207	1-249-381-11	CARBON 1 5% 1/4W F	
D231	8-719-030-50	DIODE SEL6914W-TP6S (1)		R208	1-216-049-00	METAL CHIP 1K 5% 1/10W	
D232	8-719-030-50	DIODE SEL6914W-TP6S (2)		R209	1-216-049-00	METAL CHIP 1K 5% 1/10W	
D233	8-719-030-50	DIODE SEL6914W-TP6S (3)		R210	1-216-049-00	METAL CHIP 1K 5% 1/10W	
D234	8-719-030-50	DIODE SEL6914W-TP6S (4)		R211	1-216-049-00	METAL CHIP 1K 5% 1/10W	
D235	8-719-030-50	DIODE SEL6914W-TP6S (5)		R212	1-216-049-00	METAL CHIP 1K 5% 1/10W	
D236	8-719-030-50	DIODE SEL6914W-TP6S (6)		R213	1-216-049-00	METAL CHIP 1K 5% 1/10W	
D237	8-719-030-50	DIODE SEL6914W-TP6S (7)		R214	1-216-049-00	METAL CHIP 1K 5% 1/10W	
D238	8-719-030-50	DIODE SEL6914W-TP6S (8)		R216	1-216-049-00	METAL CHIP 1K 5% 1/10W	
D239	8-719-030-50	DIODE SEL6914W-TP6S (9)		R217	1-216-001-00	METAL CHIP 10 5% 1/10W	
D240	8-719-030-50	DIODE SEL6914W-TP6S (0)		R218	1-216-037-00	METAL CHIP 330 5% 1/10W	
D241	8-719-030-50	DIODE SEL6914W-TP6S (DOLBY SUR)		R219	1-216-037-00	METAL CHIP 330 5% 1/10W	
D242	8-719-030-50	DIODE SEL6914W-TP6S (THEATER)		R220	1-216-037-00	METAL CHIP 330 5% 1/10W	
D243	8-719-030-50	DIODE SEL6914W-TP6S (LIVE)		R221	1-216-037-00	METAL CHIP 330 5% 1/10W	
D244	8-719-030-50	DIODE SEL6914W-TP6S (HALL)		R222	1-216-037-00	METAL CHIP 330 5% 1/10W	
D245	8-719-030-50	DIODE SEL6914W-TP6S (DANCE)		R223	1-216-037-00	METAL CHIP 330 5% 1/10W	
D246	8-719-030-50	DIODE SEL6914W-TP6S (JAZZ)		R224	1-216-037-00	METAL CHIP 330 5% 1/10W	
D247	8-719-030-50	DIODE SEL6914W-TP6S (OPERA)		R225	1-216-037-00	METAL CHIP 330 5% 1/10W	
D248	8-719-030-50	DIODE SEL6914W-TP6S (CHURCH)		R226	1-216-065-00	METAL CHIP 4.7K 5% 1/10W	
D249	8-719-030-50	DIODE SEL6914W-TP6S (STADIUM)		R227	1-216-065-00	METAL CHIP 4.7K 5% 1/10W	
D250	8-719-030-50	DIODE SEL6914W-TP6S (ACOUSTIC)		R228	1-216-065-00	METAL CHIP 4.7K 5% 1/10W	
D251	8-719-016-74	DIODE 1SS352		R229	1-216-065-00	METAL CHIP 4.7K 5% 1/10W	
D252	8-719-016-74	DIODE 1SS352		R230	1-216-065-00	METAL CHIP 4.7K 5% 1/10W	

<p>The components identified by mark <b>△</b> or dotted line with mark <b>△</b> are critical for safety. Replace only with part number specified.</p>	<p>Les composants identifiés par une marque <b>△</b> sont critiques pour la sécurité. Ne les remplacer que par une pièce portant le numéro spécifié.</p>
---	--

**DISPLAY****FRONT VIDEO****IMPEDANCE SELECTOR****MAIN**

Ref. No.	Part No.	Description	Remark
R231	1-216-065-00	METAL CHIP	4.7K 5% 1/10W
R232	1-216-065-00	METAL CHIP	4.7K 5% 1/10W
R233	1-216-037-00	METAL CHIP	330 5% 1/10W
R234	1-216-037-00	METAL CHIP	330 5% 1/10W
R237	1-216-073-00	METAL CHIP	10K 5% 1/10W
R238	1-216-037-00	METAL CHIP	330 5% 1/10W
R239	1-216-037-00	METAL CHIP	330 5% 1/10W
R240	1-216-025-00	METAL CHIP	100 5% 1/10W
△R241	1-249-421-11	CARBON	2.2K 5% 1/4W F
△R242	1-249-421-11	CARBON	2.2K 5% 1/4W F
△R243	1-249-421-11	CARBON	2.2K 5% 1/4W F
R245	1-216-001-00	METAL CHIP	10 5% 1/10W
△R246	1-249-405-11	CARBON	100 5% 1/4W F
△R247	1-249-405-11	CARBON	100 5% 1/4W F
R248	1-216-049-00	METAL CHIP	1K 5% 1/10W
R249	1-216-049-00	METAL CHIP	1K 5% 1/10W
R250	1-216-033-00	METAL CHIP	220 5% 1/10W
R251	1-216-049-00	METAL CHIP	1K 5% 1/10W
R252	1-216-049-00	METAL CHIP	1K 5% 1/10W
R265	1-216-001-00	METAL CHIP	10 5% 1/10W
< SWITCH >			
S201	1-554-303-21	SWITCH, TACTILE (DISPLAY GRAPHIC)	
S202	1-554-303-21	SWITCH, TACTILE (DISPLAY INDEX)	
S203	1-554-303-21	SWITCH, TACTILE (INDEX SELECT/TUNING-)	
S204	1-554-303-21	SWITCH, TACTILE (INDEX SELECT/TUNING+)	
S205	1-554-303-21	SWITCH, TACTILE (PRESET TUNING-)	
S206	1-554-303-21	SWITCH, TACTILE (PRESET TUNING+)	
S207	1-554-303-21	SWITCH, TACTILE (TUNER TUNING LEVEL)	
S208	1-554-303-21	SWITCH, TACTILE (TUNER MEMORY)	
S209	1-554-303-21	SWITCH, TACTILE (TUNER DIRECT TUNING)	
S210	1-554-303-21	SWITCH, TACTILE (TUNER FM MODE)	
S211	1-554-303-21	SWITCH, TACTILE (TUNER AM/FM)	
S212	1-554-303-21	SWITCH, TACTILE (SOUND FILD LINK)	
S213	1-554-303-21	SWITCH, TACTILE (SOUND FILD ON/OFF)	
S214	1-554-303-21	SWITCH, TACTILE (SOUND FILD USER/PRESED)	
S215	1-554-303-21	SWITCH, TACTILE (PROLOGIC MODE)	
S216	1-554-303-21	SWITCH, TACTILE (EQUALIZER FLAT)	
S217	1-554-303-21	SWITCH, TACTILE (EQUALIZER SLOPE)	
S218	1-554-303-21	SWITCH, TACTILE (EQUALIZER BAND)	
S222	1-554-303-21	SWITCH, TACTILE (EDIT VIDEO)	
S223	1-554-303-21	SWITCH, TACTILE (EDIT AUDIO)	
S224	1-554-303-21	SWITCH, TACTILE (MONITOR TAPE 2)	
S225	1-554-303-21	SWITCH, TACTILE (SHIFT)	
S226	1-554-303-21	SWITCH, TACTILE (1 DOLBY SUR)	
S227	1-554-303-21	SWITCH, TACTILE (2 THEATER)	
S228	1-554-303-21	SWITCH, TACTILE (3 VIDEO 1 LIVE)	
S229	1-554-303-21	SWITCH, TACTILE (CURSOR MODE)	
S230	1-554-303-21	SWITCH, TACTILE (D. B. F. B)	

Ref. No.	Part No.	Description	Remark
S231	1-554-303-21	SWITCH, TACTILE (MUTING -20dB)	
S232	1-554-303-21	SWITCH, TACTILE (4 VIDEO 2 HALL)	
S233	1-554-303-21	SWITCH, TACTILE (5 VIDEO 3 DANCE)	
S234	1-554-303-21	SWITCH, TACTILE (6 TAPE 1 JAZZ)	
S235	1-554-303-21	SWITCH, TACTILE (MODE SELECT)	
S236	1-554-303-21	SWITCH, TACTILE (▽)	
S237	1-554-303-21	SWITCH, TACTILE (△)	
S238	1-554-303-21	SWITCH, TACTILE (7 DAT OPERA)	
S239	1-554-303-21	SWITCH, TACTILE (8 CD CHURCH)	
S240	1-554-303-21	SWITCH, TACTILE (9 TUNER STADIUM)	
S241	1-554-303-21	SWITCH, TACTILE (0 PHONO ACOUSTIC)	
S242	1-554-303-21	SWITCH, TACTILE (<)	
S243	1-554-303-21	SWITCH, TACTILE (>)	
*****			
*	1-644-270-11	FRONT VIDEO BOARD	*****
< CONNECTOR >			
* CNS153	1-565-482-11	CONNECTOR, BOARD TO BOARD 6P	
< JACK >			
J131	1-580-174-31	JACK, PIN (3P FRONT)(VIDEO 3 INPUT)	
*****			
*	1-647-965-11	IMPEDANCE SELECTOR BOARD	*****
< CONNECTOR >			
CNP16011-691-766-11	PLUG (MICRO CONNECTOR) 4P		
* CNP16021-564-506-11	PLUG, CONNECTOR 3P		
< TRANSISTOR >			
Q1701	8-729-620-05	TRANSISTOR	2SC2603-EF
< RESISTOR >			
R1701	1-249-429-11	CARBON	10K 5% 1/4W
< SWITCH >			
S602	1-571-083-11	SWITCH, SLIDE	(FRONT SPEAKERS IMPEDANCE SELECTOR)
*****			
*	A-4360-932-A	MAIN BOARD, COMPLETE (US)	*****
*	A-4360-933-A	MAIN BOARD, COMPLETE (Canadian)	*****
*	4-904-446-01	PLATE, GROUND	
*	4-942-204-01	PLATE, GROUND	

The components identified by mark △ or dotted line with mark △ are critical for safety. Replace only with part number specified.

Les composants identifiés par une marque △ sont critiques pour la sécurité. Ne les remplacer que par une pièce portant le numéro spécifié.

Ref. No.	Part No.	Description	Remark		
*	4-880-403-11	HEAT SINK			
*	4-880-403-11	HEAT SINK			
*	3-309-144-21	HEAT SINK			
*	4-931-903-01	HEAT SINK (DI)			
	7-682-548-04	SCREW +BVTT 3X8 (S)			
< CAPACITOR >					
C251	1-124-925-11	ELECT	2.2uF	20%	100V
C252	1-164-159-11	CERAMIC	0.1uF		50V
C253	1-124-464-11	ELECT	0.22uF	20%	50V
C254	1-164-159-11	CERAMIC	0.1uF		50V
C255	1-164-159-11	CERAMIC	0.1uF		50V
C257	1-162-294-31	CERAMIC	0.001uF	10%	50V
C501	1-162-282-31	CERAMIC	100PF	10%	50V
C502	1-124-927-11	ELECT	4.7uF	20%	100V
C503	1-124-477-11	ELECT	47uF	20%	25V
C504	1-130-480-00	MYLAR	0.0056uF	5%	50V
C505	1-106-347-00	MYLAR	1500PF	5%	200V
C506	1-124-927-11	ELECT	4.7uF	20%	100V
C507	1-124-916-11	ELECT	22uF	20%	63V
C513	1-162-294-31	CERAMIC	0.001uF	10%	50V
C515	1-162-294-31	CERAMIC	0.001uF	10%	50V
C516	1-162-294-31	CERAMIC	0.001uF	10%	50V
C517	1-124-907-11	ELECT	10uF	20%	50V
C518	1-124-907-11	ELECT	10uF	20%	50V
C526	1-164-159-11	CERAMIC	0.1uF		50V
C551	1-162-282-31	CERAMIC	100PF	10%	50V
C552	1-124-927-11	ELECT	4.7uF	20%	100V
C553	1-124-477-11	ELECT	47uF	20%	25V
C554	1-130-480-00	MYLAR	0.0056uF	5%	50V
C555	1-106-347-00	MYLAR	1500PF	5%	200V
C556	1-124-927-11	ELECT	4.7uF	20%	100V
C557	1-124-916-11	ELECT	22uF	20%	63V
C590	1-124-927-11	ELECT	4.7uF	20%	100V
C651	1-124-907-11	ELECT	10uF	20%	50V
C652	1-164-083-11	CERAMIC	680PF	10%	50V
C653	1-124-477-11	ELECT	47uF	20%	25V
C654	1-161-959-00	CERAMIC	22PF	10%	500V
C655	1-124-477-11	ELECT	47uF	20%	25V
C656	1-164-014-11	CERAMIC	5PF	0.25PF	50V
C657	1-161-959-00	CERAMIC	22PF	10%	500V
C658	1-126-022-11	ELECT	47uF	20%	10V
C659	1-136-157-00	FILM	0.022uF	5%	50V (US)
C659	1-136-161-00	FILM	0.047uF	5%	50V (CND)
C660	1-136-161-00	FILM	0.047uF	5%	50V (CND)
C661	1-136-165-00	FILM	0.1uF	5%	50V
C663	1-164-077-11	CERAMIC	220PF	10%	50V
C680	1-124-931-11	ELECT	47uF	20%	100V
C707	1-124-477-11	ELECT	47uF	20%	25V

Ref. No.	Part No.	Description	Remark		
C708	1-102-233-00	CERAMIC	33PF	10%	500V
C709	1-102-233-00	CERAMIC	33PF	10%	500V
C710	1-136-165-00	FILM	0.1uF	5%	50V
C711	1-136-165-00	FILM	0.1uF	5%	50V
C712	1-136-157-00	FILM	0.022uF	5%	50V (US)
C712	1-136-161-00	FILM	0.047uF	5%	50V (CND)
C713	1-136-161-00	FILM	0.047uF	5%	50V (CND)
C714	1-124-925-11	ELECT	2.2uF	20%	100V
C715	1-124-472-11	ELECT	470uF	20%	10V
C757	1-124-477-11	ELECT	47uF	20%	25V
C758	1-102-233-00	CERAMIC	33PF	10%	500V
C759	1-102-233-00	CERAMIC	33PF	10%	500V
C760	1-136-165-00	FILM	0.1uF	5%	50V
C761	1-136-165-00	FILM	0.1uF	5%	50V
C762	1-136-157-00	FILM	0.022uF	5%	50V (US)
C762	1-136-161-00	FILM	0.047uF	5%	50V (CND)
C763	1-136-161-00	FILM	0.047uF	5%	50V (CND)
C962	1-124-907-11	ELECT	10uF	20%	50V
C963	1-126-955-11	ELECT	4700uF	20%	35V
C964	1-124-910-11	ELECT	47uF	20%	50V
C965	1-126-955-11	ELECT	4700uF	20%	35V
C966	1-124-477-11	ELECT	47uF	20%	25V
C967	1-124-477-11	ELECT	47uF	20%	25V
C968	1-124-898-11	ELECT	4700uF	20%	16V
C969	1-124-477-11	ELECT	47uF	20%	25V
C971	1-124-667-11	ELECT	10uF	20%	100V
C980	1-106-391-12	MYLAR	0.1uF	5%	200V
C981	1-106-391-12	MYLAR	0.1uF	5%	200V
C982	1-125-752-11	ELECT	12000uF	20%	71V
C983	1-125-752-11	ELECT	12000uF	20%	71V
C991	1-164-096-11	CERAMIC	0.01uF		50V
C992	1-164-096-11	CERAMIC	0.01uF		50V
C993	1-164-096-11	CERAMIC	0.01uF		50V
C994	1-164-096-11	CERAMIC	0.01uF		50V
< FILTER >					
CF251	1-567-928-11	VIBLATOR, CERAMIC (10MHz)			
< CONNECTOR >					
* CNP153	1-560-330-00	CONNECTOR PIN (L)			
CNP154	1-691-170-11	PIN, CONNECTOR 13P			
CNP251	1-691-767-11	PLUG (MICRO CONNECTOR) 5P			
* CNP253	1-564-506-11	PLUG, CONNECTOR 3P			
* CNP551	1-564-506-11	PLUG, CONNECTOR 3P			
* CNP554	1-564-506-11	PLUG, CONNECTOR 3P			
* CNP651	1-564-506-11	PLUG, CONNECTOR 3P			
* CNP652	1-564-104-00	PIN, CONNECTOR (B3P-VH) 3P			
* CNP653	1-564-509-11	PLUG, CONNECTOR 6P			
* CNP654	1-564-507-11	PLUG, CONNECTOR 4P			

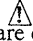
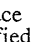



**MAIN**

Ref.No.	Part No.	Description	Remark
CNP751	1-691-163-11	PIN, CONNECTOR 6P	
CNP752	1-691-162-11	PIN, CONNECTOR 5P	
CNP753	1-691-165-11	PIN, CONNECTOR 8P	
* CNP754	1-564-242-00	PIN, CONNECTOR 5P	
CNP951	1-564-104-00	PIN, CONNECTOR 3P	
CNP953	1-564-242-00	PIN, CONNECTOR 5P	
< CONNECTOR >			
CNS252	1-568-838-11	SOCKET, CONNECTOR 21P	
* CNS253	1-568-824-11	SOCKET, CONNECTOR 5P	
CNS351	1-695-218-11	SOCKET, CONNECTOR 33P	
< DIODE >			
D252	8-719-987-63	DIODE 1N4148M	
D501	8-719-987-63	DIODE 1N4148M	
D610	8-719-987-63	DIODE 1N4148M	
D623	8-719-987-63	DIODE 1N4148M	
D651	8-719-933-35	DIODE HZS6A3L	
D652	8-719-987-63	DIODE 1N4148M	
D654	8-719-815-85	DIODE 1S1585	
D705	8-719-987-63	DIODE 1N4148M	
D715	8-719-815-85	DIODE 1S1585	
D716	8-719-815-85	DIODE 1S1585	
D718	8-719-987-63	DIODE 1N4148M	
D720	8-719-987-63	DIODE 1N4148M	
D723	8-719-987-63	DIODE 1N4148M	
D730	8-719-987-63	DIODE 1N4148M	
D731	8-719-987-63	DIODE 1N4148M	
D765	8-719-815-85	DIODE 1S1585	
D766	8-719-815-85	DIODE 1S1585	
D963	8-719-002-70	DIODE UZL-36L	
D970	8-719-312-09	DIODE RBA-402	
D971	8-719-312-09	DIODE RBA-402	
D973	8-719-987-63	DIODE 1N4148M	
D980	8-719-302-38	DIODE RBV-602-01	
< IC >			
IC150	8-759-177-83	IC HD6433258-A74F	
IC231	8-759-820-62	IC LB1639	
IC501	8-759-111-44	IC uPC4570C-1	
IC510	8-759-805-14	IC LC7822	
IC511	8-759-805-14	IC LC7822	
IC514	8-759-801-01	IC LC4966	
IC951	8-759-604-40	IC M5F78M15L	
IC952	8-759-604-46	IC M5F79M15L	
IC953	8-759-604-35	IC M5F78M05L	

Ref.No.	Part No.	Description	Remark
< JACK >			
J501	1-691-260-11	JACK, PIN 6P (PHONO IN/CD IN/DAT(REC OUT))	
J502	1-691-260-11	JACK, PIN 6P (DAT IN/TAPE 1(REC OUT/IN))	
J503	1-691-260-11	JACK, PIN 6P (VIDEO 2 AUDIO IN/VIDEO 1(OUT/IN))	
J504	1-573-520-11	JACK, PIN 4P (TAPE 2(REC OUT/IN))	
< COIL >			
L602	1-420-872-00	COIL, AIR CORE	
L701	1-420-872-00	COIL, AIR CORE	
L751	1-420-872-00	COIL, AIR CORE	
< TRANSISTOR >			
Q250	8-729-119-76	TRANSISTOR 2SA1175-HFE	
Q257	8-729-900-63	TRANSISTOR DTA124ES	
Q501	8-729-620-05	TRANSISTOR 2SC2603-EF	
Q502	8-729-141-30	TRANSISTOR 2SC3623A-LK	
Q503	8-729-900-61	TRANSISTOR DTA114ES	
Q507	8-729-141-30	TRANSISTOR 2SC3623A-LK	
Q508	8-729-141-30	TRANSISTOR 2SC3623A-LK	
Q509	8-729-141-30	TRANSISTOR 2SC3623A-LK	
Q510	8-729-141-30	TRANSISTOR 2SC3623A-LK	
Q511	8-729-141-30	TRANSISTOR 2SC3623A-LK	
Q512	8-729-141-30	TRANSISTOR 2SC3623A-LK	
Q520	8-729-900-80	TRANSISTOR DTC114ES	
Q521	8-729-900-61	TRANSISTOR DTA114ES	
Q522	8-729-900-80	TRANSISTOR DTC114ES	
Q523	8-729-900-61	TRANSISTOR DTA114ES	
Q552	8-729-141-30	TRANSISTOR 2SC3623A-LK	
Q644	8-729-620-05	TRANSISTOR 2SC2603-EF	
Q651	8-729-620-18	TRANSISTOR 2SA979-FG	
Q652	8-729-620-05	TRANSISTOR 2SC2603-EF	
Q653	8-729-140-82	TRANSISTOR 2SA988-PAFAEA	
Q655	8-729-620-05	TRANSISTOR 2SC2603-EF	
Q656	8-729-141-06	TRANSISTOR 2SA1142-QPE	
Q657	8-729-209-15	TRANSISTOR 2SD2012	
Q658	8-729-141-05	TRANSISTOR 2SC2682-QPE	
Q662	8-729-141-46	TRANSISTOR 2SC4431-LK	
Q663	8-729-141-37	TRANSISTOR 2SA1684-LK	
Q664	8-729-321-24	TRANSISTOR 2SA1672-OY	
Q665	8-729-321-21	TRANSISTOR 2SC4387-OY	
Q667	8-729-140-82	TRANSISTOR 2SA988-PAFAEA	
Q702	8-729-209-15	TRANSISTOR 2SD2012	
Q704	8-729-141-46	TRANSISTOR 2SC4431-LK	
Q705	8-729-320-96	TRANSISTOR 2SC2921-OPY	
Q708	8-729-141-37	TRANSISTOR 2SA1684-LK	
Q709	8-729-320-73	TRANSISTOR 2SA1215-OY	

Ref. No.	Part No.	Description	Remark	Ref. No.	Part No.	Description	Remark
Q711	8-729-140-82	TRANSISTOR	2SA988-PAFAEA	R520	1-249-441-11	CARBON	100K 5% 1/4W
Q712	8-729-140-82	TRANSISTOR	2SA988-PAFAEA	R521	1-249-417-11	CARBON	1K 5% 1/4W
Q713	8-729-140-84	TRANSISTOR	2SC1841-PAFAEA	R522	1-249-429-11	CARBON	10K 5% 1/4W
Q714	8-729-620-05	TRANSISTOR	2SC2603-EF	R523	1-249-426-11	CARBON	5.6K 5% 1/4W
Q715	8-729-140-82	TRANSISTOR	2SA988-PAFAEA	R524	1-249-441-11	CARBON	100K 5% 1/4W
Q716	8-729-620-05	TRANSISTOR	2SC2603-EF	△R526	1-249-407-11	CARBON	150 5% 1/4W F
Q752	8-729-209-15	TRANSISTOR	2SD2012	R531	1-249-425-11	CARBON	4.7K 5% 1/4W
Q754	8-729-141-46	TRANSISTOR	2SC4431-LK	R533	1-249-425-11	CARBON	4.7K 5% 1/4W
Q755	8-729-320-96	TRANSISTOR	2SC2921-OPY	R539	1-249-433-11	CARBON	22K 5% 1/4W
Q758	8-729-141-37	TRANSISTOR	2SA1684-LK	R540	1-249-413-11	CARBON	470 5% 1/4W
Q759	8-729-320-73	TRANSISTOR	2SA1215-OY	R541	1-249-413-11	CARBON	470 5% 1/4W
Q767	8-729-140-82	TRANSISTOR	2SA988-PAFAEA	R542	1-249-413-11	CARBON	470 5% 1/4W
Q768	8-729-140-82	TRANSISTOR	2SA988-PAFAEA	R543	1-249-413-11	CARBON	470 5% 1/4W
Q961	8-729-209-15	TRANSISTOR	2SD2012	R544	1-249-413-11	CARBON	470 5% 1/4W
< RESISTOR >				R545	1-249-413-11	CARBON	470 5% 1/4W
R114	1-249-417-11	CARBON	1K 5% 1/4W	R547	1-249-417-11	CARBON	1K 5% 1/4W
R116	1-249-417-11	CARBON	1K 5% 1/4W	R548	1-249-417-11	CARBON	1K 5% 1/4W
R138	1-249-417-11	CARBON	1K 5% 1/4W	R551	1-249-411-11	CARBON	330 5% 1/4W
R141	1-249-417-11	CARBON	1K 5% 1/4W	R552	1-249-441-11	CARBON	100K 5% 1/4W
R191	1-249-417-11	CARBON	1K 5% 1/4W	R553	1-249-441-11	CARBON	100K 5% 1/4W
R251	1-249-422-11	CARBON	2.7K 5% 1/4W	R554	1-249-416-11	CARBON	820 5% 1/4W
R252	1-249-441-11	CARBON	100K 5% 1/4W	R555	1-247-897-11	CARBON	560K 5% 1/4W
R253	1-249-425-11	CARBON	4.7K 5% 1/4W	R556	1-249-437-11	CARBON	47K 5% 1/4W
R254	1-249-417-11	CARBON	1K 5% 1/4W	R557	1-247-903-00	CARBON	1M 5% 1/4W
R255	1-247-903-00	CARBON	1M 5% 1/4W	R558	1-249-409-11	CARBON	220 5% 1/4W
R258	1-249-437-11	CARBON	47K 5% 1/4W	R559	1-249-409-11	CARBON	220 5% 1/4W
R266	1-249-429-11	CARBON	10K 5% 1/4W	R560	1-249-438-11	CARBON	56K 5% 1/4W
R267	1-249-429-11	CARBON	10K 5% 1/4W	R561	1-249-417-11	CARBON	1K 5% 1/4W
R268	1-249-429-11	CARBON	10K 5% 1/4W	R563	1-249-417-11	CARBON	1K 5% 1/4W
R269	1-249-413-11	CARBON	470 5% 1/4W	R564	1-249-417-11	CARBON	1K 5% 1/4W
R273	1-249-437-11	CARBON	47K 5% 1/4W	R565	1-249-417-11	CARBON	1K 5% 1/4W
R274	1-249-429-11	CARBON	10K 5% 1/4W	R567	1-249-417-11	CARBON	1K 5% 1/4W
R278	1-249-437-11	CARBON	47K 5% 1/4W	R568	1-249-417-11	CARBON	1K 5% 1/4W
R501	1-249-411-11	CARBON	330 5% 1/4W	R571	1-249-417-11	CARBON	1K 5% 1/4W
R502	1-249-441-11	CARBON	100K 5% 1/4W	R574	1-249-441-11	CARBON	100K 5% 1/4W
R503	1-249-441-11	CARBON	100K 5% 1/4W	R589	1-249-433-11	CARBON	22K 5% 1/4W
R504	1-249-416-11	CARBON	820 5% 1/4W	R590	1-249-426-11	CARBON	5.6K 5% 1/4W
R505	1-247-897-11	CARBON	560K 5% 1/4W	R591	1-249-441-11	CARBON	100K 5% 1/4W
R506	1-249-437-11	CARBON	47K 5% 1/4W	R592	1-249-433-11	CARBON	22K 5% 1/4W
R507	1-247-903-00	CARBON	1M 5% 1/4W	R593	1-249-426-11	CARBON	5.6K 5% 1/4W
R508	1-249-409-11	CARBON	220 5% 1/4W	R594	1-249-426-11	CARBON	5.6K 5% 1/4W
R509	1-249-409-11	CARBON	220 5% 1/4W	R595	1-249-426-11	CARBON	5.6K 5% 1/4W
R510	1-249-438-11	CARBON	56K 5% 1/4W	R596	1-249-426-11	CARBON	5.6K 5% 1/4W
R511	1-249-417-11	CARBON	1K 5% 1/4W	R597	1-249-417-11	CARBON	1K 5% 1/4W
R513	1-249-417-11	CARBON	1K 5% 1/4W	R598	1-249-417-11	CARBON	1K 5% 1/4W
R514	1-249-417-11	CARBON	1K 5% 1/4W	R599	1-249-426-11	CARBON	5.6K 5% 1/4W
R515	1-249-417-11	CARBON	1K 5% 1/4W	R635	1-260-072-11	CARBON	4.7 5% 1/2W
R517	1-249-417-11	CARBON	1K 5% 1/4W	R644	1-249-429-11	CARBON	10K 5% 1/4W
R518	1-249-417-11	CARBON	1K 5% 1/4W	R650	1-249-434-11	CARBON	27K 5% 1/4W

<p>The components identified by mark  or dotted line with mark  are critical for safety. Replace only with part number specified.</p>	<p>Les composants identifiés par une marque  sont critiques pour la sécurité. Ne les remplacer que par une pièce portant le numéro spécifié.</p>
---	---

# MAIN

# POWER SUPPLY

Ref. No.	Part No.	Description	Remark
R651	1-249-417-11	CARBON	1K 5% 1/4W
R652	1-249-435-11	CARBON	33K 5% 1/4W
△R653	1-249-409-11	CARBON	220 5% 1/4W F
△R654	1-249-409-11	CARBON	220 5% 1/4W F
R655	1-249-415-11	CARBON	680 5% 1/4W
R656	1-249-421-11	CARBON	2. 2K 5% 1/4W
R657	1-249-425-11	CARBON	4. 7K 5% 1/4W
R658	1-249-435-11	CARBON	33K 5% 1/4W
R659	1-249-426-11	CARBON	5. 6K 5% 1/4W
R662	1-249-411-11	CARBON	330 5% 1/4W
R663	1-249-435-11	CARBON	33K 5% 1/4W
R664	1-249-397-11	CARBON	22 5% 1/4W
△R665	1-249-405-11	CARBON	100 5% 1/4W F
R666	1-249-419-11	CARBON	1. 5K 5% 1/4W
R667	1-249-437-11	CARBON	47K 5% 1/4W
R668	1-249-414-11	CARBON	560 5% 1/4W
△R669	1-249-397-11	CARBON	22 5% 1/4W F
△R670	1-249-405-11	CARBON	100 5% 1/4W F
R671	1-249-431-11	CARBON	15K 5% 1/4W
R672	1-260-076-11	CARBON	10 5% 1/2W
△R675	1-249-389-11	CARBON	4. 7 5% 1/4W F
△R676	1-249-411-11	CARBON	330 5% 1/4W F
△R677	1-249-389-11	CARBON	4. 7 5% 1/4W F
△R678	1-217-611-00	RES, METAL PLATE	0. 1 F
△R679	1-217-611-00	RES, METAL PLATE	0. 1 F
△R680	1-249-397-11	CARBON	22 5% 1/4W F
R681	1-249-419-11	CARBON	1. 5K 5% 1/4W
R683	1-249-431-11	CARBON	15K 5% 1/4W
R692	1-249-435-11	CARBON	33K 5% 1/4W
R702	1-249-429-11	CARBON	10K 5% 1/4W
△R707	1-249-405-11	CARBON	100 5% 1/4W F
R708	1-249-419-11	CARBON	1. 5K 5% 1/4W
R709	1-249-437-11	CARBON	47K 5% 1/4W
△R710	1-249-405-11	CARBON	100 5% 1/4W F
△R711	1-249-405-11	CARBON	100 5% 1/4W F
△R712	1-249-393-11	CARBON	10 5% 1/4W F
△R713	1-217-611-00	RES, METAL PLATE	0. 1 F
△R714	1-217-611-00	RES, METAL PLATE	0. 1 F
△R715	1-249-393-11	CARBON	10 5% 1/4W F
R725	1-249-419-11	CARBON	1. 5K 5% 1/4W
R726	1-249-417-11	CARBON	1K 5% 1/4W
R727	1-249-431-11	CARBON	15K 5% 1/4W
R728	1-249-431-11	CARBON	15K 5% 1/4W
R729	1-260-072-11	CARBON	4. 7 5% 1/2W
R730	1-260-076-11	CARBON	10 5% 1/2W
R731	1-249-429-11	CARBON	10K 5% 1/4W
R732	1-249-436-11	CARBON	39K 5% 1/4W
R733	1-249-437-11	CARBON	47K 5% 1/4W
R734	1-249-417-11	CARBON	1K 5% 1/4W

Ref. No.	Part No.	Description	Remark
R735	1-249-434-11	CARBON	27K 5% 1/4W
△R737	1-249-401-11	CARBON	47 5% 1/4W F
R746	1-249-433-11	CARBON	22K 5% 1/4W
R750	1-249-415-11	CARBON	680 5% 1/4W
△R757	1-249-405-11	CARBON	100 5% 1/4W F
R758	1-249-419-11	CARBON	1. 5K 5% 1/4W
R759	1-249-437-11	CARBON	47K 5% 1/4W
△R760	1-249-405-11	CARBON	100 5% 1/4W F
△R761	1-249-405-11	CARBON	100 5% 1/4W F
△R762	1-249-393-11	CARBON	10 5% 1/4W F
△R763	1-217-611-00	RES, METAL PLATE	0. 1 F
△R764	1-217-611-00	RES, METAL PLATE	0. 1 F
△R765	1-249-393-11	CARBON	10 5% 1/4W F
R775	1-249-419-11	CARBON	1. 5K 5% 1/4W
R776	1-249-417-11	CARBON	1K 5% 1/4W
R777	1-249-431-11	CARBON	15K 5% 1/4W
R778	1-249-431-11	CARBON	15K 5% 1/4W
R779	1-260-072-11	CARBON	4. 7 5% 1/2W
R780	1-260-076-11	CARBON	10 5% 1/2W
△R783	1-247-743-11	CARBON	220 5% 1/2W F
R785	1-249-437-11	CARBON	47K 5% 1/4W
△R787	1-249-401-11	CARBON	47 5% 1/4W F
R796	1-249-433-11	CARBON	22K 5% 1/4W
R966	1-249-381-11	CARBON	1 5% 1/4W
R967	1-249-385-11	CARBON	2. 2 5% 1/6W
△R968	1-249-403-11	CARBON	68 5% 1/4W F
△R969	1-249-403-11	CARBON	68 5% 1/4W F
R970	1-249-426-11	CARBON	5. 6K 5% 1/4W
△R971	1-215-910-00	METAL OXIDE	68 5% 3W F
△R972	1-215-910-00	METAL OXIDE	68 5% 3W F
△R973	1-249-397-11	CARBON	22 5% 1/4W F
R1708	1-249-414-11	CARBON	560 5% 1/4W
R1709	1-249-431-11	CARBON	15K 5% 1/4W
R1758	1-249-414-11	CARBON	560 5% 1/4W
R1759	1-249-431-11	CARBON	15K 5% 1/4W
< RELAY >			
RY501	1-515-614-11	RELAY	
RY602	1-515-676-11	RELAY	
RY701	1-515-741-21	RELAY	
< TEST PIN >			
* TP701	1-560-062-00	PIN, CONNECTOR 4P	
* TP702	1-560-060-00	PIN, CONNECTOR 2P	
*****			
*	A-4365-126-A	POWER SUPPLY BOARD, COMPLETE	*****
*	3-309-144-21	HEAT SINK	

The components identified by mark **△** or dotted line with mark **△** are critical for safety. Replace only with part number specified.

Les composants identifiés par une marque **△** sont critiques pour la sécurité. Ne les remplacer que par une pièce portant le numéro spécifié.

# POWER SUPPLY

# REAR AMPLIFIER

Ref. No.	Part No.	Description	Remark
*	4-959-363-01	PLATE (V. D), GROUND	
	7-682-547-09	SCREW +BVTT 3X6 (S)	
		< BASE POST >	
* BP901	1-535-139-00	BASE POST 19MM (10MM PITCH) 2P	
		< CAPACITOR >	
△C901	1-161-744-00	CERAMIC 0.01uF	400V
C951	1-101-004-00	CERAMIC 0.01uF	50V
C952	1-101-004-00	CERAMIC 0.01uF	50V
C953	1-164-073-11	CERAMIC 100PF	10% 50V
C954	1-124-907-11	ELECT 10uF	20% 50V
C955	1-124-477-11	ELECT 47uF	20% 25V
C956	1-124-464-11	ELECT 0.22uF	20% 50V
C957	1-124-902-00	ELECT 0.47uF	20% 50V
C958	1-101-004-00	CERAMIC 0.01uF	50V
C959	1-124-557-11	ELECT 1000uF	20% 25V
C960	1-124-903-11	ELECT 1uF	20% 50V
		< CONNECTOR >	
* CNP901	1-564-321-00	PIN, CONNECTOR 2P	
	CNP902	1-564-321-00	PIN, CONNECTOR 2P
		< CONNECTOR >	
△CNS901	1-540-060-11	OUTLET, AC (POLAR) (AC OUTLET)	
	CNS951	1-691-767-11	PLUG (MICRO CONNECTOR) 5P
		< DIODE >	
D951	8-719-987-63	DIODE 1N4148M	
D952	8-719-987-63	DIODE 1N4148M	
D953	8-719-987-63	DIODE 1N4148M	
D954	8-719-200-02	DIODE 10E2	
D955	8-719-200-02	DIODE 10E2	
D956	8-719-200-02	DIODE 10E2	
D957	8-719-200-02	DIODE 10E2	
D958	8-719-933-41	DIODE HZS6C3L	
D959	8-719-985-53	DIODE HZS4ALL	
D960	8-719-987-63	DIODE 1N4148M	
D961	8-719-933-41	DIODE HZS6C3L	
		< FUSE >	
△F902	1-532-749-11	FUSE, GLASS TUBE (8A/125V)	
		< TRANSISTOR >	
Q952	8-729-620-05	TRANSISTOR 2SC2603-EF	
Q953	8-729-209-15	TRANSISTOR 2SD2012	
Q954	8-729-620-05	TRANSISTOR 2SC2603-EF	

Ref. No.	Part No.	Description	Remark
Q955	8-729-119-76	TRANSISTOR 2SA1175-HFE	
Q956	8-729-119-76	TRANSISTOR 2SA1175-HFE	
Q957	8-729-900-63	TRANSISTOR DTA124ES	
Q958	8-729-620-05	TRANSISTOR 2SC2603-EF	
Q959	8-729-900-89	TRANSISTOR DTC144ES	
		< RESISTOR >	
△R901	1-202-725-00	SOLID 3.3M 10%	1/2W F
△R951	1-247-691-11	CARBON 18 5%	1/4W F
R952	1-249-417-11	CARBON 1K 5%	1/4W F
R954	1-249-433-11	CARBON 22K 5%	1/4W
R955	1-249-437-11	CARBON 47K 5%	1/4W
R956	1-249-425-11	CARBON 4.7K 5%	1/4W F
R957	1-249-429-11	CARBON 10K 5%	1/4W
R958	1-249-417-11	CARBON 1K 5%	1/4W F
R959	1-249-429-11	CARBON 10K 5%	1/4W
R960	1-249-429-11	CARBON 10K 5%	1/4W
R962	1-249-426-11	CARBON 5.6K 5%	1/4W
R963	1-249-417-11	CARBON 1K 5%	1/4W
R964	1-249-426-11	CARBON 5.6K 5%	1/4W
R965	1-247-895-00	CARBON 470K 5%	1/4W
		< RELAY >	
RY901	1-515-701-11	RELAY	
		< TRANSFORMER >	
△T901	1-448-517-21	TRANSFORMER, POWER (US)	
△T901	1-448-517-31	TRANSFORMER, POWER (US, Canadian)	
*****			
*	A-4360-930-A	REAR AMPLIFIER BOARD, COMPLETE	
*****			
		< CAPACITOR >	
C601	1-124-907-11	ELECT 10uF	20% 50V
C602	1-162-282-31	CERAMIC 100PF	10% 50V
C603	1-124-916-11	ELECT 22uF	20% 63V
C604	1-124-667-11	ELECT 10uF	20% 100V
C607	1-136-157-00	FILM 0.022uF	5% 50V
C621	1-124-907-11	ELECT 10uF	20% 50V
C622	1-162-282-31	CERAMIC 100PF	10% 50V
C623	1-124-916-11	ELECT 22uF	20% 63V
C624	1-124-667-11	ELECT 10uF	20% 100V
C627	1-136-157-00	FILM 0.022uF	5% 50V
		< CONNECTOR >	
* CNP631	1-564-506-11	PLUG, CONNECTOR 3P	
* CNP632	1-564-506-11	PLUG, CONNECTOR 3P	
* CNP633	1-564-506-11	PLUG, CONNECTOR 3P	
	CNP634	1-691-767-11	PLUG (MICRO CONNECTOR) 5P

<p>The components identified by mark <b>△</b> or dotted line with mark <b>△</b> are critical for safety. Replace only with part number specified.</p>	<p>Les composants identifiés par une marque <b>△</b> sont critiques pour la sécurité. Ne les remplacer que par une pièce portant le numéro spécifié.</p>
---	--

# REAR AMPLIFIER

# SPEAKER SW

# SPEAKER TERMINAL

Ref. No.	Part No.	Description	Remark
		< DIODE >	
D620	8-719-987-63	DIODE 1N4148M	
D640	8-719-987-63	DIODE 1N4148M	
		< IC >	
IC601	8-759-085-89	IC LM3875-S	
IC621	8-759-085-89	IC LM3875-S	
		< COIL >	
L601	1-420-872-00	COIL, AIR CORE	
L621	1-420-872-00	COIL, AIR CORE	
		< TRANSISTOR >	
Q620	8-729-140-82	TRANSISTOR 2SA988-PAFAEA	
Q640	8-729-140-82	TRANSISTOR 2SA988-PAFAEA	
		< RESISTOR >	
R601	1-249-409-11	CARBON 220 5% 1/4W	
R602	1-249-441-11	CARBON 100K 5% 1/4W	
R603	1-249-420-11	CARBON 1.8K 5% 1/4W	
R604	1-249-441-11	CARBON 100K 5% 1/4W	
R605	1-249-419-11	CARBON 1.5K 5% 1/4W	
R606	1-249-431-11	CARBON 15K 5% 1/4W	
R607	1-249-438-11	CARBON 56K 5% 1/4W	
△R608	1-249-393-11	CARBON 10 5% 1/4W F	
R609	1-217-151-00	RES, METAL PLATE 0.22	
R611	1-249-389-11	CARBON 4.7 5% 1/4W	
R621	1-249-409-11	CARBON 220 5% 1/4W	
R622	1-249-441-11	CARBON 100K 5% 1/4W	
R623	1-249-420-11	CARBON 1.8K 5% 1/4W	
R624	1-249-441-11	CARBON 100K 5% 1/4W	
R625	1-249-419-11	CARBON 1.5K 5% 1/4W	
R626	1-249-431-11	CARBON 15K 5% 1/4W	
R627	1-249-437-11	CARBON 47K 5% 1/4W	
△R628	1-249-393-11	CARBON 10 5% 1/4W F	
R629	1-217-151-00	RES, METAL PLATE 0.22	
R631	1-249-389-11	CARBON 4.7 5% 1/4W	
△R691	1-249-401-11	CARBON 47 5% 1/4W F	
*****			
*	1-644-263-11	SPEAKER SW BOARD	
		*****	
		< CAPACITOR >	
C1701	1-162-294-31	CERAMIC 0.001uF 10% 50V	

Ref. No.	Part No.	Description	Remark
		< CONNECTOR >	
* CNP704	1-564-242-00	PIN, CONNECTOR 5P	
* CNP710	1-564-674-11	PIN, CONNECTOR 8P	
		< JACK >	
J703	1-563-347-11	JACK, LARGE TYPE (HEADPHONES)	
		< RESISTOR >	
△R736	1-215-869-11	METAL OXIDE 1K 5% 1W F	
△R786	1-215-869-11	METAL OXIDE 1K 5% 1W F	
		< SWITCH >	
S701	1-571-973-11	SWITCH, ROTARY	
*****			
*	1-644-261-11	SPEAKER TERMINAL BOARD	
		*****	
		< CAPACITOR >	
C641	1-162-294-31	CERAMIC 0.001uF 10% 50V	
C642	1-162-294-31	CERAMIC 0.001uF 10% 50V	
		< CONNECTOR >	
* CNP610	1-564-519-11	PLUG, CONNECTOR 4P	
* CNP611	1-564-104-00	PIN, CONNECTOR (B3P-VH) 3P	
* CNP614	1-564-519-11	PLUG, CONNECTOR 4P	
* CNP615	1-564-518-11	PLUG, CONNECTOR 3P	
* CNP715	1-564-674-11	PIN, CONNECTOR 8P	
		< DIODE >	
D612	8-719-987-63	DIODE 1N4148M	
		< TRANSISTOR >	
Q641	8-729-620-05	TRANSISTOR 2SC2603-EF	
		< RESISTOR >	
R643	1-249-429-11	CARBON 10K 5% 1/4W	
R1601	1-249-417-11	CARBON 1K 5% 1/4W	
		< RELAY >	
RY603	1-515-790-11	RELAY	
		< TERMINAL >	
TM602	1-536-706-00	TERMINAL BOARD (SP) (CENTER SPEAKER, REAR SPEAKER)	
TM701	1-536-706-00	TERMINAL BOARD (SP) (FRONT SPEAKER A, B)	
*****			

The components identified by mark  $\Delta$  or dotted line with mark  $\Delta$  are critical for safety. Replace only with part number specified.

Les composants identifiés par une marque  $\Delta$  sont critiques pour la sécurité. Ne les remplacer que par une pièce portant le numéro spécifié.

# SURROUND

Ref. No.	Part No.	Description	Remark	Ref. No.	Part No.	Description	Remark
*	A-4360-681-A	SURROUND BOARD, COMPLETE *****		C355	1-164-004-11	CERAMIC CHIP	0.1uF 10% 25V
*	4-952-472-01	HOLDER (S), FL TUBE		C356	1-124-477-11	ELECT	47uF 20% 25V
*	4-952-473-01	HOLDER (S), LED < CAPACITOR >		C357	1-124-907-11	ELECT	10uF 20% 50V
C301	1-124-477-11	ELECT	47uF 20% 25V	C359	1-124-916-11	ELECT	22uF 20% 63V
C302	1-164-004-11	CERAMIC CHIP	0.1uF 10% 25V	C363	1-164-068-11	CERAMIC	82PF 5% 50V
C303	1-164-004-11	CERAMIC CHIP	0.1uF 10% 25V	C365	1-130-479-00	MYLAR	0.0047uF 5% 50V
C304	1-124-477-11	ELECT	47uF 20% 25V	C368	1-164-057-11	CERAMIC	30PF 5% 50V
C305	1-136-153-00	FILM	0.01uF 5% 50V	C369	1-164-057-11	CERAMIC	30PF 5% 50V
C306	1-164-232-11	CERAMIC CHIP	0.01uF 50V	C370	1-130-472-00	MYLAR	0.0012uF 5% 50V
C307	1-124-907-11	ELECT	10uF 20% 50V	C371	1-163-109-00	CERAMIC CHIP	47PF 5% 50V
C308	1-124-477-11	ELECT	47uF 20% 25V	C372	1-124-916-11	ELECT	22uF 20% 63V
C309	1-124-916-11	ELECT	22uF 20% 63V	C373	1-164-004-11	CERAMIC CHIP	0.1uF 10% 25V
C310	1-124-916-11	ELECT	22uF 20% 63V	C374	1-124-907-11	ELECT	10uF 20% 50V
C311	1-136-165-00	FILM	0.1uF 5% 50V	C375	1-164-004-11	CERAMIC CHIP	0.1uF 10% 25V
C312	1-164-004-11	CERAMIC CHIP	0.1uF 10% 25V	C376	1-124-477-11	ELECT	47uF 20% 25V
C313	1-164-068-11	CERAMIC	82PF 5% 50V	C377	1-124-916-11	ELECT	22uF 20% 63V
C315	1-130-479-00	MYLAR	0.0047uF 5% 50V	C378	1-164-004-11	CERAMIC CHIP	0.1uF 10% 25V
C318	1-164-057-11	CERAMIC	30PF 5% 50V	C381	1-124-907-11	ELECT	10uF 20% 50V
C319	1-164-057-11	CERAMIC	30PF 5% 50V	C382	1-130-473-00	MYLAR	0.0015uF 5% 50V
C320	1-130-472-00	MYLAR	0.0012uF 5% 50V	C383	1-124-907-11	ELECT	10uF 20% 50V
C321	1-163-109-00	CERAMIC CHIP	47PF 5% 50V	C384	1-163-001-11	CERAMIC CHIP	220PF 10% 50V
C322	1-124-916-11	ELECT	22uF 20% 63V	C385	1-130-478-00	MYLAR	0.0039uF 5% 50V
C323	1-164-004-11	CERAMIC CHIP	0.1uF 10% 25V	C386	1-124-916-11	ELECT	22uF 20% 63V
C324	1-124-907-11	ELECT	10uF 20% 50V	C392	1-124-903-11	ELECT	1uF 20% 50V
C325	1-164-004-11	CERAMIC CHIP	0.1uF 10% 25V	C393	1-164-004-11	CERAMIC CHIP	0.1uF 10% 25V
C326	1-124-477-11	ELECT	47uF 20% 25V	C394	1-164-004-11	CERAMIC CHIP	0.1uF 10% 25V
C327	1-124-916-11	ELECT	22uF 20% 63V	C395	1-164-004-11	CERAMIC CHIP	0.1uF 10% 25V
C328	1-164-004-11	CERAMIC CHIP	0.1uF 10% 25V	C396	1-124-478-11	ELECT	100uF 20% 25V
C329	1-164-004-11	CERAMIC CHIP	0.1uF 10% 25V	C405	1-163-009-11	CERAMIC CHIP	0.001uF 10% 50V
C330	1-124-477-11	ELECT	47uF 20% 25V	C427	1-164-004-11	CERAMIC CHIP	0.1uF 10% 25V
C331	1-124-477-11	ELECT	47uF 20% 25V	C428	1-164-004-11	CERAMIC CHIP	0.1uF 10% 25V
C332	1-130-473-00	MYLAR	0.0015uF 5% 50V	C429	1-124-477-11	ELECT	47uF 20% 25V
C333	1-164-004-11	CERAMIC CHIP	0.1uF 10% 25V	C430	1-164-004-11	CERAMIC CHIP	0.1uF 10% 25V
C334	1-163-001-11	CERAMIC CHIP	220PF 10% 50V	C431	1-124-478-11	ELECT	100uF 20% 25V
C335	1-130-478-00	MYLAR	0.0039uF 5% 50V	C432	1-164-004-11	CERAMIC CHIP	0.1uF 10% 25V
C336	1-124-916-11	ELECT	22uF 20% 63V	C433	1-126-176-11	ELECT	220uF 20% 10V
C337	1-136-165-00	FILM	0.1uF 5% 50V	C435	1-164-004-11	CERAMIC CHIP	0.1uF 10% 25V
C342	1-163-117-00	CERAMIC CHIP	100PF 5% 50V	C436	1-124-478-11	ELECT	100uF 20% 25V
C343	1-164-004-11	CERAMIC CHIP	0.1uF 10% 25V	C437	1-164-004-11	CERAMIC CHIP	0.1uF 10% 25V
C344	1-164-004-11	CERAMIC CHIP	0.1uF 10% 25V	C438	1-126-176-11	ELECT	220uF 20% 10V
C345	1-164-004-11	CERAMIC CHIP	0.1uF 10% 25V	C440	1-163-077-00	CERAMIC CHIP	0.1uF 10% 25V
C346	1-124-478-11	ELECT	100uF 20% 25V	C441	1-124-478-11	ELECT	100uF 20% 25V
C351	1-124-916-11	ELECT	22uF 20% 63V	C442	1-164-004-11	CERAMIC CHIP	0.1uF 10% 25V
C352	1-164-004-11	CERAMIC CHIP	0.1uF 10% 25V	C446	1-164-004-11	CERAMIC CHIP	0.1uF 10% 25V
C353	1-164-232-11	CERAMIC CHIP	0.01uF 50V	C451	1-163-235-11	CERAMIC CHIP	22PF 5% 50V
C354	1-136-153-00	FILM	0.01uF 5% 50V	C452	1-163-235-11	CERAMIC CHIP	22PF 5% 50V
				C468	1-124-907-11	ELECT	10uF 20% 50V
				C469	1-124-907-11	ELECT	10uF 20% 50V
				C470	1-124-907-11	ELECT	10uF 20% 50V

# SURROUND

Ref. No.	Part No.	Description	Remark
C471	1-124-907-11	ELECT 10uF 20%	50V
C472	1-124-907-11	ELECT 10uF 20%	50V
C473	1-124-907-11	ELECT 10uF 20%	50V
C474	1-124-907-11	ELECT 10uF 20%	50V
C475	1-124-907-11	ELECT 10uF 20%	50V
C476	1-124-903-11	ELECT 1uF 20%	50V
C477	1-124-903-11	ELECT 1uF 20%	50V
C478	1-124-478-11	ELECT 100uF 20%	25V
C479	1-136-171-00	FILM 0.33uF 5%	50V
C480	1-136-165-00	FILM 0.1uF 5%	50V
C481	1-136-159-00	FILM 0.033uF 5%	50V
C482	1-130-479-00	MYLAR 0.0047uF 5%	50V
C483	1-130-482-00	MYLAR 0.0082uF 5%	50V
C484	1-136-158-00	FILM 0.027uF 5%	50V
C485	1-124-916-11	ELECT 22uF 20%	63V
C486	1-124-478-11	ELECT 100uF 20%	25V
C487	1-124-903-11	ELECT 1uF 20%	50V
C488	1-164-004-11	CERAMIC CHIP 0.1uF 10%	25V
C489	1-164-004-11	CERAMIC CHIP 0.1uF 10%	25V
< CONNECTOR >			
* CNP302	1-564-506-11	PLUG, CONNECTOR 3P	
< CONNECTOR >			
* CNS301	1-565-484-11	CONNECTOR, BOARD TO BOARD 8P	
CNS303	1-695-218-11	SOCKET, CONNECTOR 33P	
< FERRITE BEAD INDUCTOR >			
FB401	1-410-397-21	FERRITE BEAD INDUCTOR 1.1uH	
< IC >			
IC301	8-759-504-36	IC CS5339-KP	
IC302	8-759-636-55	IC M5218AFP	
IC303	8-759-708-05	IC NJM78L05A	
IC304	8-759-700-65	IC NJM79L05A	
IC305	8-759-636-55	IC M5218AFP	
IC306	8-759-636-55	IC M5218AFP	
IC307	8-759-040-59	IC LC7883K	
IC308	8-759-636-55	IC M5218AFP	
IC309	8-759-636-55	IC M5218AFP	
IC355	8-759-636-55	IC M5218AFP	
IC403	8-759-708-05	IC NJM78L05A	
IC404	8-759-075-34	IC LC83015	
IC405	8-752-359-50	IC CXD2564AM	
IC406	8-759-165-17	IC MT4C4256-8A	
IC408	8-759-708-05	IC NJM78L05A	
IC418	8-759-820-11	IC LC7535	
IC419	8-759-636-55	IC M5218AFP	

Ref. No.	Part No.	Description	Remark
IC420	8-759-823-24	IC LA2730	
IC421	8-759-801-01	IC LC4966	
< COIL >			
L301	1-410-377-31	INDUCTOR CHIP 4.7uH	
L302	1-410-377-31	INDUCTOR CHIP 4.7uH	
L404	1-410-377-31	INDUCTOR CHIP 4.7uH	
L405	1-410-377-31	INDUCTOR CHIP 4.7uH	
L406	1-410-377-31	INDUCTOR CHIP 4.7uH	
L407	1-410-377-31	INDUCTOR CHIP 4.7uH	
L410	1-410-377-31	INDUCTOR CHIP 4.7uH	
< TRANSISTOR >			
Q301	8-729-107-46	TRANSISTOR 2SC3624A-L15	
Q302	8-729-107-46	TRANSISTOR 2SC3624A-L15	
Q303	8-729-107-46	TRANSISTOR 2SC3624A-L15	
Q304	8-729-107-46	TRANSISTOR 2SC3624A-L15	
Q305	8-729-107-46	TRANSISTOR 2SC3624A-L15	
Q306	8-729-107-46	TRANSISTOR 2SC3624A-L15	
Q351	8-729-107-46	TRANSISTOR 2SC3624A-L15	
Q352	8-729-107-46	TRANSISTOR 2SC3624A-L15	
Q353	8-729-107-46	TRANSISTOR 2SC3624A-L15	
Q354	8-729-107-46	TRANSISTOR 2SC3624A-L15	
Q355	8-729-107-46	TRANSISTOR 2SC3624A-L15	
Q356	8-729-107-46	TRANSISTOR 2SC3624A-L15	
Q406	8-729-207-68	TRANSISTOR RN2402	
Q407	8-729-207-68	TRANSISTOR RN2402	
Q408	8-729-207-68	TRANSISTOR RN2402	
Q409	8-729-207-68	TRANSISTOR RN2402	
Q411	8-729-805-45	TRANSISTOR 2SC3395	
Q412	8-729-901-06	TRANSISTOR DTA144EK	
Q413	8-729-805-45	TRANSISTOR 2SC3395	
< RESISTOR >			
R301	1-216-085-00	METAL CHIP 33K 5%	1/10W
R302	1-216-017-00	METAL CHIP 47 5%	1/10W
R303	1-216-025-00	METAL CHIP 100 5%	1/10W
R304	1-216-073-00	METAL CHIP 10K 5%	1/10W
R305	1-216-097-00	METAL CHIP 100K 5%	1/10W
R306	1-216-097-00	METAL CHIP 100K 5%	1/10W
R308	1-216-085-00	METAL CHIP 33K 5%	1/10W
R309	1-216-113-00	METAL CHIP 470K 5%	1/10W
R311	1-216-689-11	METAL CHIP 39K 0.5%	1/10W
R312	1-216-689-11	METAL CHIP 39K 0.5%	1/10W
R313	1-216-079-00	METAL CHIP 18K 5%	1/10W
R314	1-216-079-00	METAL CHIP 18K 5%	1/10W
R315	1-216-093-00	METAL CHIP 68K 5%	1/10W
R316	1-216-093-00	METAL CHIP 68K 5%	1/10W
R317	1-216-053-00	METAL CHIP 1.5K 5%	1/10W

# SURROUND

Ref. No.	Part No.	Description	Remark			Ref. No.	Part No.	Description	Remark		
R318	1-216-053-00	METAL CHIP	1.5K	5%	1/10W	R377	1-216-073-00	METAL CHIP	10K	5%	1/10W
R322	1-216-097-00	METAL CHIP	100K	5%	1/10W	R378	1-216-065-00	METAL CHIP	4.7K	5%	1/10W
R323	1-216-062-00	METAL CHIP	3.6K	5%	1/10W	R379	1-216-055-00	METAL CHIP	1.8K	5%	1/10W
R324	1-216-065-00	METAL CHIP	4.7K	5%	1/10W	R380	1-216-049-00	METAL CHIP	1K	5%	1/10W
R325	1-216-061-00	METAL CHIP	3.3K	5%	1/10W	R381	1-216-097-00	METAL CHIP	100K	5%	1/10W
R326	1-216-097-00	METAL CHIP	100K	5%	1/10W	R382	1-216-054-00	METAL GLAZE	1.6K	5%	1/10W
R327	1-216-073-00	METAL CHIP	10K	5%	1/10W	R383	1-216-065-00	METAL CHIP	4.7K	5%	1/10W
R328	1-216-065-00	METAL CHIP	4.7K	5%	1/10W	R384	1-216-105-00	METAL CHIP	220K	5%	1/10W
R329	1-216-055-00	METAL CHIP	1.8K	5%	1/10W	R385	1-216-049-00	METAL CHIP	1K	5%	1/10W
R330	1-216-049-00	METAL CHIP	1K	5%	1/10W	R386	1-216-049-00	METAL CHIP	1K	5%	1/10W
R331	1-216-097-00	METAL CHIP	100K	5%	1/10W	R387	1-216-065-00	METAL CHIP	4.7K	5%	1/10W
R332	1-216-054-00	METAL GLAZE	1.6K	5%	1/10W	R388	1-216-065-00	METAL CHIP	4.7K	5%	1/10W
R333	1-216-065-00	METAL CHIP	4.7K	5%	1/10W	R390	1-216-041-00	METAL CHIP	470	5%	1/10W
R334	1-216-105-00	METAL CHIP	220K	5%	1/10W	R391	1-216-061-00	METAL CHIP	3.3K	5%	1/10W
R335	1-216-049-00	METAL CHIP	1K	5%	1/10W	R392	1-216-061-00	METAL CHIP	3.3K	5%	1/10W
R336	1-216-049-00	METAL CHIP	1K	5%	1/10W	R393	1-216-061-00	METAL CHIP	3.3K	5%	1/10W
R337	1-216-065-00	METAL CHIP	4.7K	5%	1/10W	R394	1-216-049-00	METAL CHIP	1K	5%	1/10W
R338	1-216-065-00	METAL CHIP	4.7K	5%	1/10W	R396	1-216-065-00	METAL CHIP	4.7K	5%	1/10W
R341	1-216-061-00	METAL CHIP	3.3K	5%	1/10W	R399	1-216-295-00	METAL CHIP	0	5%	1/10W
R342	1-216-061-00	METAL CHIP	3.3K	5%	1/10W	R403	1-216-080-00	METAL CHIP	20K	5%	1/10W
R343	1-216-061-00	METAL CHIP	3.3K	5%	1/10W	R404	1-216-051-00	METAL CHIP	1.2K	5%	1/10W
R344	1-216-059-00	METAL CHIP	2.7K	5%	1/10W	R411	1-216-097-00	METAL CHIP	100K	5%	1/10W
R346	1-216-065-00	METAL CHIP	4.7K	5%	1/10W	R412	1-216-097-00	METAL CHIP	100K	5%	1/10W
R347	1-216-049-00	METAL CHIP	1K	5%	1/10W	R413	1-216-049-00	METAL CHIP	1K	5%	1/10W
R348	1-216-049-00	METAL CHIP	1K	5%	1/10W	R416	1-216-049-00	METAL CHIP	1K	5%	1/10W
R349	1-216-049-00	METAL CHIP	1K	5%	1/10W	R418	1-216-049-00	METAL CHIP	1K	5%	1/10W
R350	1-216-049-00	METAL CHIP	1K	5%	1/10W	R426	1-216-041-00	METAL CHIP	470	5%	1/10W
R351	1-216-001-00	METAL CHIP	10	5%	1/10W	R427	1-216-025-00	METAL CHIP	100	5%	1/10W
R352	1-216-017-00	METAL CHIP	47	5%	1/10W	R436	1-216-121-00	METAL CHIP	1M	5%	1/10W
R353	1-216-025-00	METAL CHIP	100	5%	1/10W	R437	1-216-121-00	METAL CHIP	1M	5%	1/10W
R354	1-216-073-00	METAL CHIP	10K	5%	1/10W	R438	1-216-121-00	METAL CHIP	1M	5%	1/10W
R355	1-216-097-00	METAL CHIP	100K	5%	1/10W	R439	1-216-121-00	METAL CHIP	1M	5%	1/10W
R356	1-216-097-00	METAL CHIP	100K	5%	1/10W	R440	1-216-121-00	METAL CHIP	1M	5%	1/10W
R358	1-216-085-00	METAL CHIP	33K	5%	1/10W	R441	1-216-081-00	METAL CHIP	22K	5%	1/10W
R359	1-216-085-00	METAL CHIP	33K	5%	1/10W	R442	1-216-081-00	METAL CHIP	22K	5%	1/10W
R360	1-216-295-00	METAL CHIP	0	5%	1/10W	R443	1-216-049-00	METAL CHIP	1K	5%	1/10W
R361	1-216-689-11	METAL CHIP	39K	0.5%	1/10W	R451	1-216-097-00	METAL CHIP	100K	5%	1/10W
R362	1-216-689-11	METAL CHIP	39K	0.5%	1/10W	R452	1-216-097-00	METAL CHIP	100K	5%	1/10W
R363	1-216-079-00	METAL CHIP	18K	5%	1/10W	R453	1-216-080-00	METAL CHIP	20K	5%	1/10W
R364	1-216-079-00	METAL CHIP	18K	5%	1/10W	R454	1-216-051-00	METAL CHIP	1.2K	5%	1/10W
R365	1-216-093-00	METAL CHIP	68K	5%	1/10W	R467	1-216-080-00	METAL CHIP	20K	5%	1/10W
R366	1-216-093-00	METAL CHIP	68K	5%	1/10W	R468	1-216-073-00	METAL CHIP	10K	5%	1/10W
R367	1-216-053-00	METAL CHIP	1.5K	5%	1/10W	R469	1-216-107-00	METAL CHIP	270K	5%	1/10W
R368	1-216-053-00	METAL CHIP	1.5K	5%	1/10W	R470	1-216-073-00	METAL CHIP	10K	5%	1/10W
R372	1-216-097-00	METAL CHIP	100K	5%	1/10W	R471	1-216-077-00	METAL CHIP	15K	5%	1/10W
R373	1-216-062-00	METAL CHIP	3.6K	5%	1/10W	R472	1-216-083-00	METAL CHIP	27K	5%	1/10W
R374	1-216-065-00	METAL CHIP	4.7K	5%	1/10W	R473	1-216-068-00	METAL CHIP	6.2K	5%	1/10W
R375	1-216-061-00	METAL CHIP	3.3K	5%	1/10W	R474	1-216-089-00	METAL CHIP	47K	5%	1/10W
R376	1-216-097-00	METAL CHIP	100K	5%	1/10W	R475	1-216-061-00	METAL CHIP	3.3K	5%	1/10W



**SURROUND**

**SYSTEM POWER**

**TRANSFORMER TERMINAL (1)**

**TRANSFORMER TERMINAL (2)**

**TRANSFORMER TERMINAL (3)**

**TUNER VIDEO**

Ref.No.	Part No.	Description	Remark
R476	1-216-107-00	METAL CHIP	270K 5% 1/10W
R477	1-216-081-00	METAL CHIP	22K 5% 1/10W
R479	1-216-031-00	METAL CHIP	180 5% 1/10W
R480	1-216-075-00	METAL CHIP	12K 5% 1/10W
R481	1-216-065-00	METAL CHIP	4.7K 5% 1/10W
R482	1-216-069-00	METAL CHIP	6.8K 5% 1/10W
R483	1-216-089-00	METAL CHIP	47K 5% 1/10W
R485	1-216-295-00	METAL CHIP	0 5% 1/10W
R486	1-216-295-00	METAL CHIP	0 5% 1/10W
R491	1-216-049-00	METAL CHIP	1K 5% 1/10W
R492	1-216-049-00	METAL CHIP	1K 5% 1/10W
R493	1-216-049-00	METAL CHIP	1K 5% 1/10W
R494	1-216-049-00	METAL CHIP	1K 5% 1/10W
R495	1-216-049-00	METAL CHIP	1K 5% 1/10W
R496	1-216-049-00	METAL CHIP	1K 5% 1/10W
R497	1-216-049-00	METAL CHIP	1K 5% 1/10W
R498	1-216-033-00	METAL CHIP	220 5% 1/10W
R499	1-216-041-00	METAL CHIP	470 5% 1/10W
< CRYSTAL >			
X402	1-567-970-11	VIBRATOR, CRYSTAL (24.576MHz)	
*****			
*	1-648-656-11	SYSTEM POWER BOARD	*****
< CONNECTOR >			
*	CNS202	1-565-295-11 PLUG, CONNECTOR 4P	
< SWITCH >			
S244	1-554-303-21	SWITCH, TACTILE (POWER)	
*****			
*	1-644-271-11	TRANSFORMER TERMINAL(1) BOARD	*****
< CONNECTOR >			
* CNP971	1-564-506-11	PLUG, CONNECTOR 3P	
CNP972	1-564-104-00	PIN, CONNECTOR 3P	
CNP973	1-564-321-00	PIN, CONNECTOR 2P	
< DIODE >			
D150	8-719-014-82	DIODE UZP-6.8B	
< FUSE >			
△F957	1-576-109-11	FUSE (5A/125V)	
△F959	1-576-109-11	FUSE (5A/125V)	
*****			

Ref.No.	Part No.	Description	Remark
*	1-644-272-11	TRANSFORMER TERMINAL(2) BOARD (US)	*****
*	1-645-942-11	TRANSFORMER TERMINAL(2) BOARD (CND)	*****
< CONNECTOR >			
1-533-225-11		HOLDER, FUSE	
CNP970	1-564-242-00	PIN, CONNECTOR 5P	
* CNP974	1-564-506-11	PLUG, CONNECTOR 3P	
< DIODE >			
D966	8-719-987-63	DIODE 1N4148M	
< FUSE >			
△F951	1-532-749-11	FUSE, GLASS TUBE (8A/125V)	
△F953	1-532-749-11	FUSE, GLASS TUBE (8A/125V)	
△F955	1-576-108-11	FUSE (4A/125V)	
< RELAY >			
RY951	1-515-894-11	RELAY (US)	
*****			
*	1-644-273-11	TRANSFORMER TERMINAL(3) BOARD	*****
*****			
*	A-4347-954-A	TUNER VIDEO BOARD, COMPLETE	*****
< CAPACITOR >			
C1	1-162-294-31	CERAMIC	0.001uF 10% 50V
C2	1-124-477-11	ELECT	47uF 20% 25V
C3	1-161-379-00	CERAMIC	0.01uF 20% 25V
C4	1-162-294-31	CERAMIC	0.001uF 10% 50V
C5	1-161-379-00	CERAMIC	0.01uF 20% 25V
C6	1-161-379-00	CERAMIC	0.01uF 20% 25V
C11	1-164-097-11	CERAMIC	0.022uF 50V
C21	1-161-021-11	CERAMIC	0.047uF 10% 25V
C22	1-161-379-00	CERAMIC	0.01uF 20% 25V
C23	1-124-477-11	ELECT	47uF 20% 25V
C24	1-123-382-00	ELECT	3.3uF 20% 100V
C25	1-161-379-00	CERAMIC	0.01uF 20% 25V
C26	1-161-329-00	CERAMIC	0.0068uF 30% 16V
C27	1-162-282-31	CERAMIC	100PF 10% 50V
C28	1-124-903-11	ELECT	1uF 20% 50V
C30	1-124-903-11	ELECT	1uF 20% 50V
C31	1-124-902-00	ELECT	0.47uF 20% 50V
C32	1-124-463-00	ELECT	0.1uF 20% 50V

The components identified by mark **△** or dotted line with mark **△** are critical for safety. Replace only with part number specified.

Les composants identifiés par une marque **△** sont critiques pour la sécurité. Ne les remplacer que par une pièce portant le numéro spécifié.

# TUNER VIDEO

Ref.No.	Part No.	Description	Remark
C33	1-130-482-00	MYLAR	0.0082uF 5% 50V
C34	1-123-382-00	ELECT	3.3uF 20% 100V
C35	1-130-482-00	MYLAR	0.0082uF 5% 50V
C36	1-123-382-00	ELECT	3.3uF 20% 100V
C37	1-124-907-11	ELECT	10uF 20% 50V
C39	1-161-379-00	CERAMIC	0.01uF 20% 25V
C40	1-124-463-00	ELECT	0.1uF 20% 50V
C41	1-124-927-11	ELECT	4.7uF 20% 100V
C42	1-161-379-00	CERAMIC	0.01uF 20% 25V
C43	1-126-176-11	ELECT	220uF 20% 10V
C44	1-161-379-00	CERAMIC	0.01uF 20% 25V
C45	1-123-382-00	ELECT	3.3uF 20% 100V
C46	1-161-375-00	CERAMIC	0.0022uF 20% 50V
C48	1-123-382-00	ELECT	3.3uF 20% 100V
C49	1-161-375-00	CERAMIC	0.0022uF 20% 50V
C51	1-124-477-11	ELECT	47uF 20% 25V
C61	1-161-494-00	CERAMIC	0.022uF 25V
C63	1-161-494-00	CERAMIC	0.022uF 25V
C81	1-102-953-00	CERAMIC	18PF 5% 50V
C82	1-102-953-00	CERAMIC	18PF 5% 50V
C83	1-161-379-00	CERAMIC	0.01uF 20% 25V
C84	1-161-379-00	CERAMIC	0.01uF 20% 25V
C85	1-161-379-00	CERAMIC	0.01uF 20% 25V
C86	1-124-477-11	ELECT	47uF 20% 25V
C87	1-161-379-00	CERAMIC	0.01uF 20% 25V
C88	1-161-379-00	CERAMIC	0.01uF 20% 25V
C89	1-124-925-11	ELECT	2.2uF 20% 100V
C90	1-124-463-00	ELECT	0.1uF 20% 50V
C91	1-161-379-00	CERAMIC	0.01uF 20% 25V
C92	1-161-379-00	CERAMIC	0.01uF 20% 25V
C93	1-124-477-11	ELECT	47uF 20% 25V
C101	1-124-903-11	ELECT	1uF 20% 50V
C102	1-124-903-11	ELECT	1uF 20% 50V
C103	1-124-472-11	ELECT	470uF 20% 10V
C104	1-124-472-11	ELECT	470uF 20% 10V
C108	1-164-159-11	CERAMIC	0.1uF 50V
C109	1-124-120-11	ELECT	220uF 20% 25V
C110	1-124-903-11	ELECT	1uF 20% 50V
< FILTER >			
CF1	1-567-389-11	FILTER, CERAMIC	
CF2	1-567-389-11	FILTER, CERAMIC	
CF21	1-577-075-11	OSCILLATOR, CERAMIC	
< COMPOSITION CIRCUIT BLOCK >			
CFT21	1-404-853-11	TRANSFORMER, IF(CERAMIC FILTER)	

Ref.No.	Part No.	Description	Remark
< CONNECTOR >			
* CNS1	1-691-183-11	CONNECTOR (BOARD TO BOARD) 13P	
< FRONT END >			
FE1	1-693-201-11	FRONT END, FM	
FE61	1-236-461-11	ENCAPSULATED COMPONENT	
< IC >			
IC10	8-759-821-45	IC LA1851N	
IC11	8-759-820-91	IC LC7218	
IC101	8-759-061-95	IC SN761200N	
< JACK >			
J101	1-568-751-51	JACK, PIN (2P SHIELD TYPE) (MONITOR VIDEO OUT/VIDEO 1 VIDEO IN)	
J102	1-568-751-51	JACK, PIN (2P SHIELD TYPE) (VIDEO 1 VIDEO OUT/VIDEO 2 VIDEO IN)	
< COIL >			
L1	1-410-521-11	INDUCTOR 100uH	
L21	1-410-171-11	INDUCTOR 1mH	
< FILTER >			
LPF21	1-235-221-00	FILTER, LOW PASS	
< TRANSISTOR >			
Q1	8-729-230-99	TRANSISTOR 2SC2669-OY	
Q2	8-729-230-99	TRANSISTOR 2SC2669-OY	
Q21	8-729-119-78	TRANSISTOR 2SC2785-HFE	
Q22	8-729-119-78	TRANSISTOR 2SC2785-HFE	
Q23	8-729-900-61	TRANSISTOR DTA114ES	
Q24	8-729-900-36	TRANSISTOR DTC124ES	
Q25	8-729-900-36	TRANSISTOR DTC124ES	
Q81	8-729-900-61	TRANSISTOR DTA114ES	
Q82	8-729-900-36	TRANSISTOR DTC124ES	
Q83	8-729-202-67	TRANSISTOR 2SK246-GR3	
Q84	8-729-230-93	TRANSISTOR 2SC3113-AB	
Q101	8-729-119-76	TRANSISTOR 2SA1175-HFE	
Q102	8-729-119-76	TRANSISTOR 2SA1175-HFE	
< RESISTOR >			
△R1	1-249-407-11	CARBON 150 5% 1/4W F	
R3	1-249-411-11	CARBON 330 5% 1/4W	
R4	1-249-411-11	CARBON 330 5% 1/4W	
R5	1-249-411-11	CARBON 330 5% 1/4W	
R6	1-249-432-11	CARBON 18K 5% 1/4W	
R7	1-249-411-11	CARBON 330 5% 1/4W	

<p>The components identified by mark <math>\triangle</math> or dotted line with mark <math>\triangle</math> are critical for safety. Replace only with part number specified.</p>	<p>Les composants identifiés par une marque <math>\triangle</math> sont critiques pour la sécurité. Ne les remplacer que par une pièce portant le numéro spécifié.</p>
---	--

# TUNER VIDEO

# VOLUME

Ref. No.	Part No.	Description			Remark
R8	1-249-414-11	CARBON	560	5%	1/4W
R9	1-249-434-11	CARBON	27K	5%	1/4W
△R21	1-249-405-11	CARBON	100	5%	1/4W F
R22	1-249-428-11	CARBON	8.2K	5%	1/4W
R23	1-249-417-11	CARBON	1K	5%	1/4W
R24	1-249-435-11	CARBON	33K	5%	1/4W
R25	1-249-428-11	CARBON	8.2K	5%	1/4W
R27	1-249-432-11	CARBON	18K	5%	1/4W
R28	1-249-423-11	CARBON	3.3K	5%	1/4W
R29	1-249-429-11	CARBON	10K	5%	1/4W
R31	1-249-413-11	CARBON	470	5%	1/4W
R32	1-249-429-11	CARBON	10K	5%	1/4W
R33	1-249-429-11	CARBON	10K	5%	1/4W
R35	1-249-437-11	CARBON	47K	5%	1/4W
R37	1-247-891-00	CARBON	330K	5%	1/4W
R39	1-249-423-11	CARBON	3.3K	5%	1/4W
R40	1-249-420-11	CARBON	1.8K	5%	1/4W
R41	1-249-426-11	CARBON	5.6K	5%	1/4W
R42	1-247-891-00	CARBON	330K	5%	1/4W
R44	1-249-423-11	CARBON	3.3K	5%	1/4W
R45	1-249-420-11	CARBON	1.8K	5%	1/4W
R46	1-249-426-11	CARBON	5.6K	5%	1/4W
△R47	1-249-409-11	CARBON	220	5%	1/4W F
R61	1-249-441-11	CARBON	100K	5%	1/4W
R62	1-249-437-11	CARBON	47K	5%	1/4W
R63	1-249-397-11	CARBON	22	5%	1/4W
R64	1-249-417-11	CARBON	1K	5%	1/4W
R70	1-249-423-11	CARBON	3.3K	5%	1/4W
R71	1-249-414-11	CARBON	560	5%	1/4W
R72	1-249-417-11	CARBON	1K	5%	1/4W
R73	1-249-410-11	CARBON	270	5%	1/4W
R74	1-249-425-11	CARBON	4.7K	5%	1/4W
R75	1-249-421-11	CARBON	2.2K	5%	1/4W
R76	1-249-425-11	CARBON	4.7K	5%	1/4W
R77	1-249-405-11	CARBON	100	5%	1/4W
R78	1-249-425-11	CARBON	4.7K	5%	1/4W
△R79	1-249-407-11	CARBON	150	5%	1/4W F
R81	1-249-417-11	CARBON	1K	5%	1/4W
R82	1-249-417-11	CARBON	1K	5%	1/4W
R83	1-249-417-11	CARBON	1K	5%	1/4W
R84	1-249-417-11	CARBON	1K	5%	1/4W
R85	1-249-429-11	CARBON	10K	5%	1/4W
R86	1-249-417-11	CARBON	1K	5%	1/4W
R87	1-249-429-11	CARBON	10K	5%	1/4W
R88	1-249-425-11	CARBON	4.7K	5%	1/4W
R89	1-249-417-11	CARBON	1K	5%	1/4W
R91	1-249-417-11	CARBON	1K	5%	1/4W
△R92	1-249-401-11	CARBON	47	5%	1/4W F
R101	1-247-804-11	CARBON	75	5%	1/4W

Ref. No.	Part No.	Description			Remark
R102	1-247-804-11	CARBON	75	5%	1/4W
R103	1-247-804-11	CARBON	75	5%	1/4W
R104	1-249-429-11	CARBON	10K	5%	1/4W
R105	1-247-804-11	CARBON	75	5%	1/4W
R106	1-249-429-11	CARBON	10K	5%	1/4W
R109	1-249-405-11	CARBON	100	5%	1/4W
R110	1-249-405-11	CARBON	100	5%	1/4W
R113	1-249-405-11	CARBON	100	5%	1/4W
R114	1-249-405-11	CARBON	100	5%	1/4W
R115	1-249-433-11	CARBON	22K	5%	1/4W
R116	1-249-433-11	CARBON	22K	5%	1/4W
R117	1-249-433-11	CARBON	22K	5%	1/4W
R129	1-247-804-11	CARBON	75	5%	1/4W
< VARIABLE RESISTOR >					
RV21	1-241-628-11	RES, ADJ, CARBON 2.2K (FM STEREO SEPARATION)			
RV22	1-241-631-11	RES, ADJ, CARBON 22K (AM TUNING LEVEL)			
RV24	1-241-631-11	RES, ADJ, CARBON 22K (FM TUNING LEVEL)			
RV25	1-241-631-11	RES, ADJ, CARBON 22K (AUTO STOP LEVEL)			
< TRANSFORMER >					
T21	1-404-807-11	TRANSFORMER, DISCRIMINATOR			
< TERMINAL >					
* TM1	1-562-907-11	CONNECTOR, F-J			
TM2	1-536-707-00	TERMINAL BOARD, PUSH 2P			
< TEST PIN >					
* TP1	1-560-060-00	PIN, CONNECTOR 2P			
< CRYSTAL >					
XT81	1-579-585-11	VIBRATOR, CRYSTAL (7.2MHz)			
*****					
* 1-644-265-11	VOLUME BOARD				
*****					
< CAPACITOR >					
C401	1-124-903-11	ELECT	1uF	20%	50V
C402	1-124-903-11	ELECT	1uF	20%	50V
< CONNECTOR >					
CNP451	1-691-769-11	PLUG (MICRO CONNECTOR) 7P			
< CONNECTOR >					
* CNS450	1-691-177-11	CONNECTOR (BOARD TO BOARD) 7P			
* CNS453	1-568-824-11	SOCKET, CONNECTOR 5P			

<p>The components identified by mark <b>△</b> or dotted line with mark <b>△</b> are critical for safety. Replace only with part number specified.</p>	<p>Les composants identifiés par une marque <b>△</b> sont critiques pour la sécurité. Ne les remplacer que par une pièce portant le numéro spécifié.</p>
---	--

<u>Ref. No.</u>	<u>Part No.</u>	<u>Description</u>	<u>Remark</u>
		< RESISTOR >	
R401	1-249-407-11	CARBON 150 5% 1/4W	
		< VARIABLE RESISTOR >	
RV402	1-241-563-11	RES, VAR, CARBON 100KX4 (MASTER VOLUME)	
*****			
		MISCELLANEOUS	
		*****	
8	1-690-091-11	WIRE, FLAT TYPE (21 CORE)	
58	1-575-975-11	CORD, POWER	
62	1-696-073-21	LEAD (WITH CONNECTOR) (2 CORE)	
110	1-575-848-11	WIRE, FLAT TYPE (5 CORE)	
111	1-696-550-11	WIRE (FLAT TYPE) (33 CORE)	
△T902	1-423-643-11	TRANSFORMER, POWER (US)	
△T902	1-423-697-11	TRANSFORMER, POWER (Canadian)	
*****			
		ACCESSORIES & PACKING MATERIALS	
		*****	
	1-467-033-11	COMMANDER, STANDARD (RM-P331) (Canadian)	
	1-501-374-11	ANTENNA, LOOP	
	1-693-099-11	COMMANDER, STANDARD (RM-U221) (US)	
	3-757-058-21	MANUAL, INSTRUCTION (ENGLISH)	
	3-757-058-31	MANUAL, INSTRUCTION (FRENCH) (Canadian)	
	4-925-079-01	COVER (6), BATTERY	
*	4-927-854-03	CUSHION	
*	4-959-991-01	INDIVIDUAL CARTON	
*****			
		*****	
		<b>HARDWARE LIST</b>	
		*****	
#1	7-685-646-79	SCREW +BTP 3X8 TYPE2 N-S	
#2	7-682-547-09	SCREW +BVTT 3X6 (S)	
#3	7-682-561-04	SCREW +BVTT 4X8 (S)	
#4	7-685-648-79	SCREW +BVTP 3X12 TYPE2 IT-3	
#5	7-621-775-00	SCREW +B 2. 6X3	
#6	7-682-548-04	SCREW +BVTT 3X8 (S)	

<p>The components identified by mark <b>△</b> or dotted line with mark <b>△</b> are critical for safety. Replace only with part number specified.</p>	<p>Les composants identifiés par une marque <b>△</b> sont critiques pour la sécurité. Ne les remplacer que par une pièce portant le numéro spécifié.</p>
---	--



# STR-D1011

## SONY SERVICE MANUAL

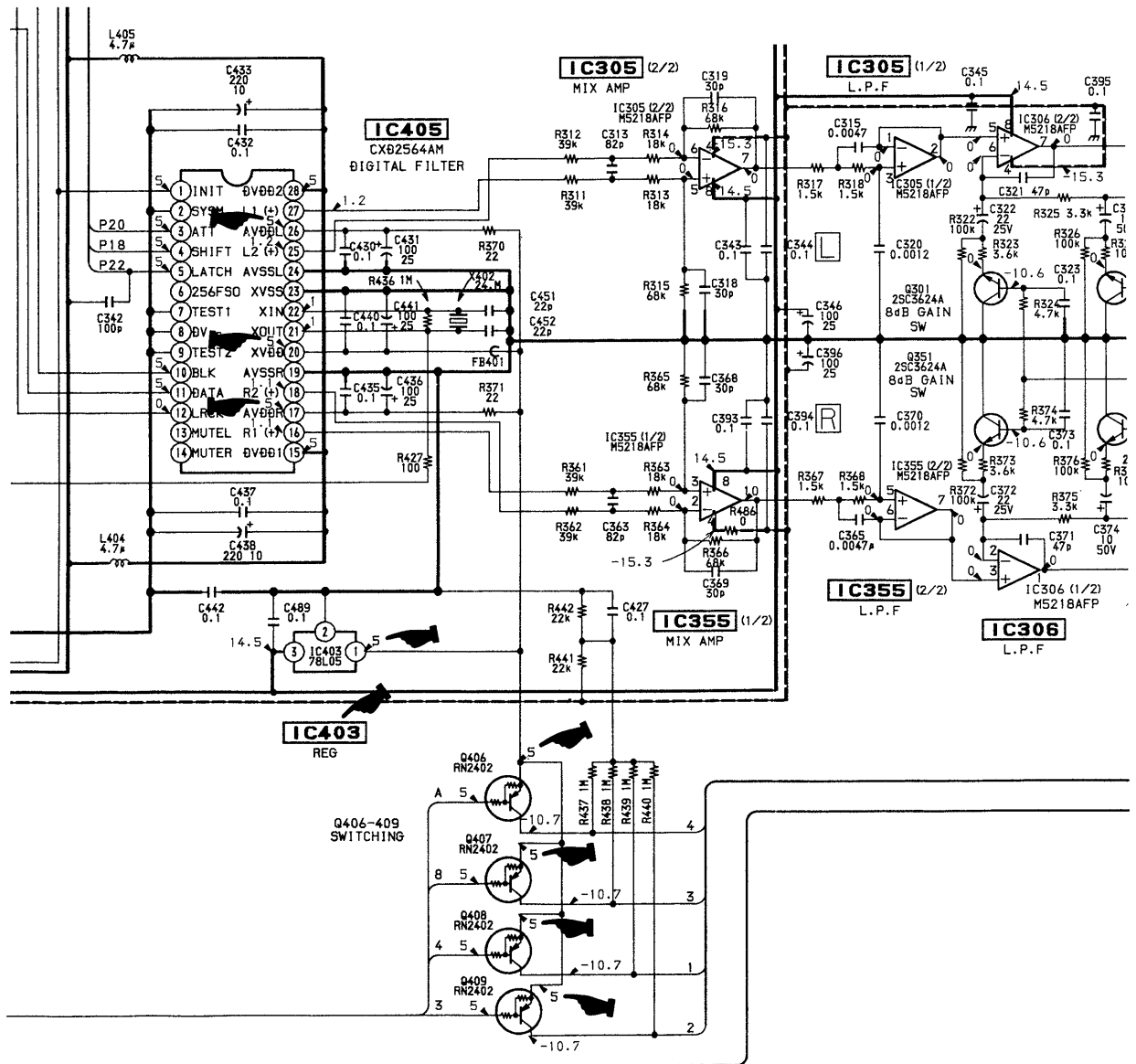
US Model  
Canadian Model

### CORRECTION-1

Correct your service manual as shown below.

Page 31

✶ : Indicates corrected portion.



(SPM-96001)